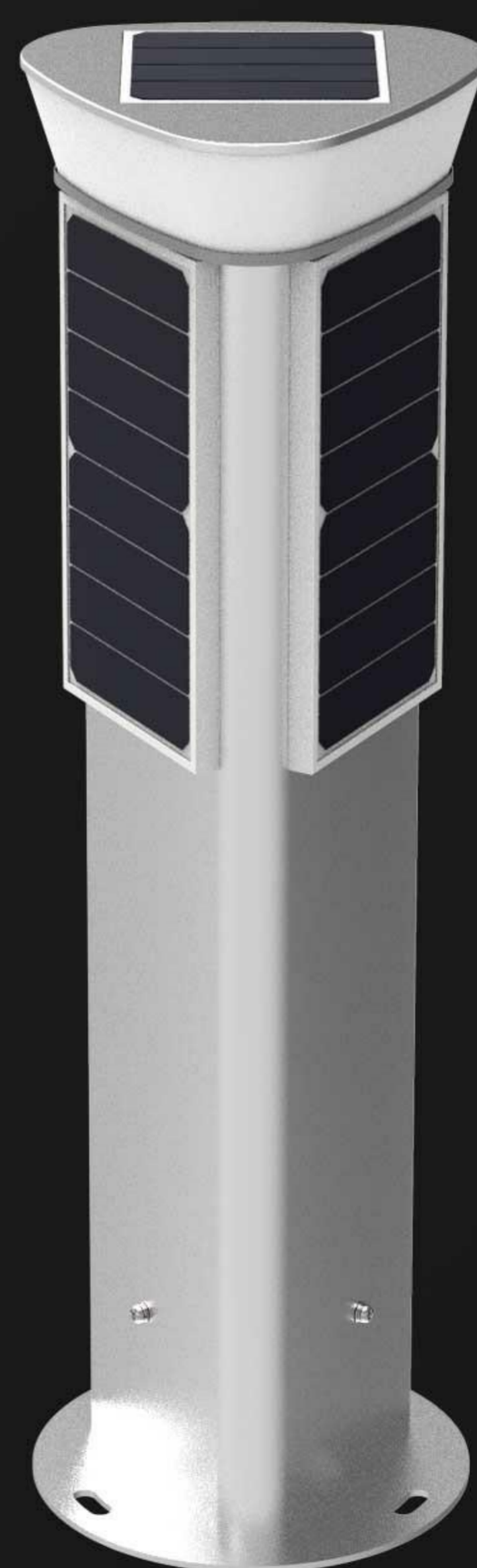




MINI HELIOS





▶ *Four-sided solar panel*

ALSO WE HAVE WHAT OTHERS DON'T



Intelligent
sunlight activation



Vandal resistant



High efficiency solar panel
(24% efficiency)



6063 marine grade
anodized aluminum pole



Quick and easy to install



Unique dome-shape design



Mode NO. MINI-HELIOS

Lighting

Light Output 2000LM
 LED Chip High bright 3030
 CCT 2700-6000K (can be customized)
 Life Span 100,000 hours to LM80 specifications
 Working Way Motion Sensor // Time Schedule

Solar Panel

Power of PV module 70W
 Life Span 80%power after 25years

Storage

Battery Capacity 150WH
 Lighting time in rainy day >10 days
 Life Span 4000 Cycles (>10 years)

Charging Controller

Life Span 5 years
 Working Mode MPPT
 Control Mode Intelligent, activated by sunlight

Environment

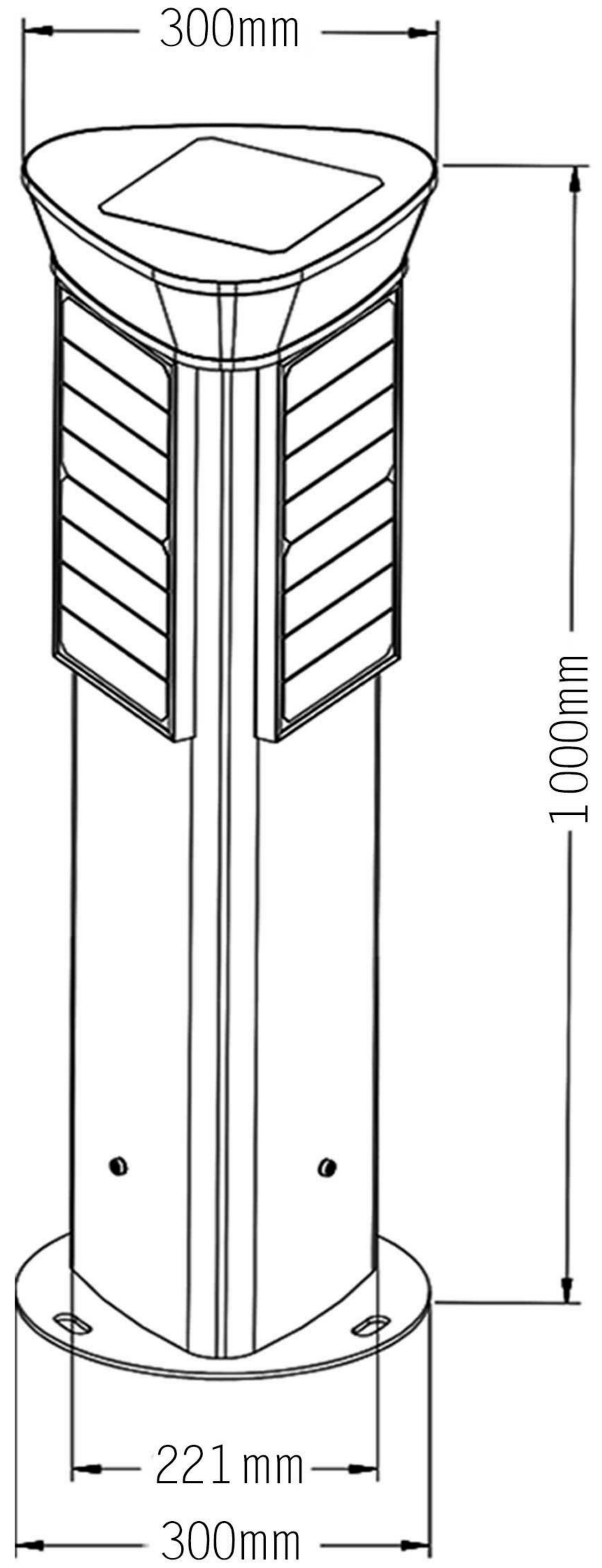
Working Temperature -15°C to +70°C
 Water Resistance IP65

Solar Panel Autoclean

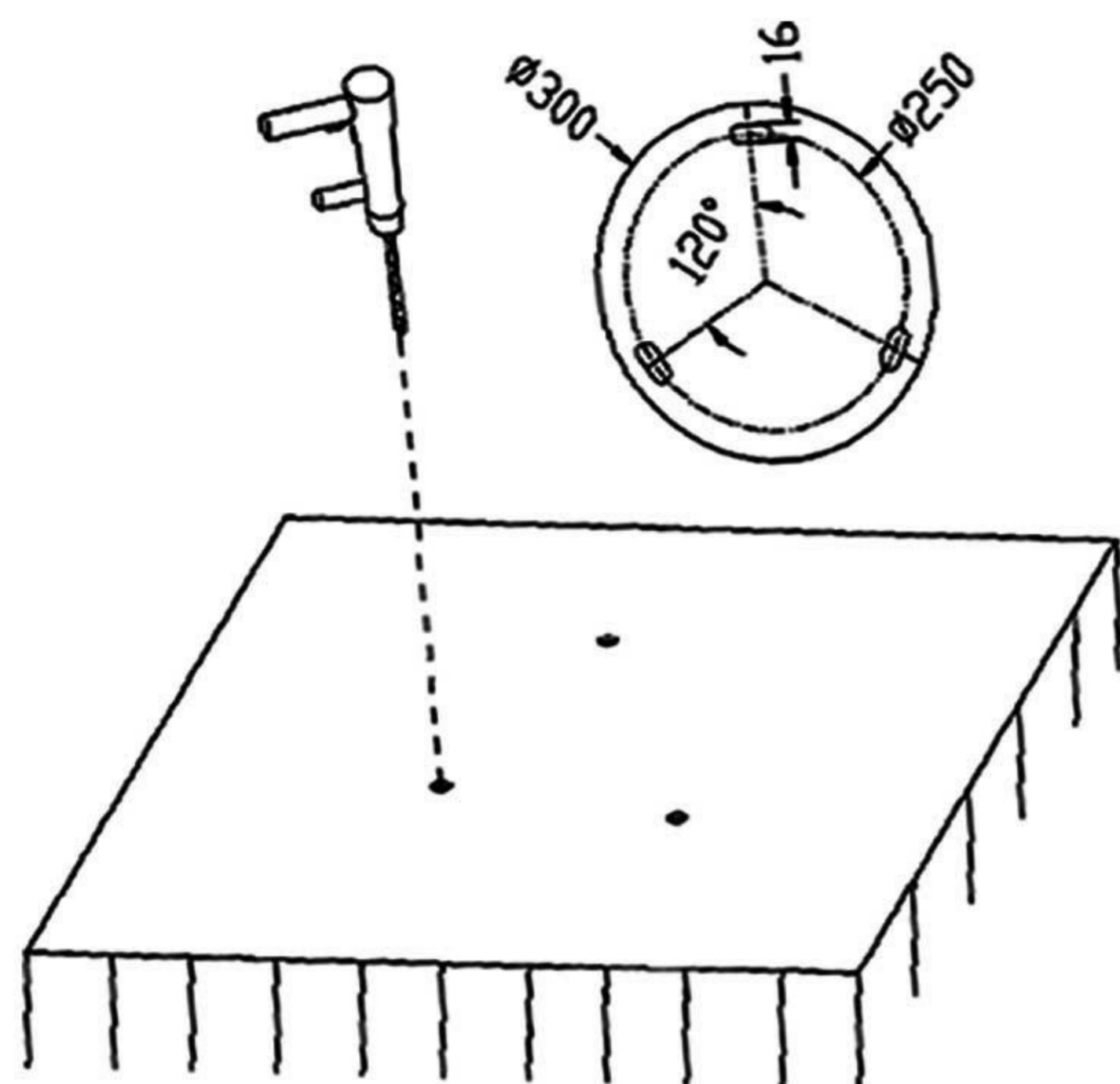
—

Mechanical Specifications

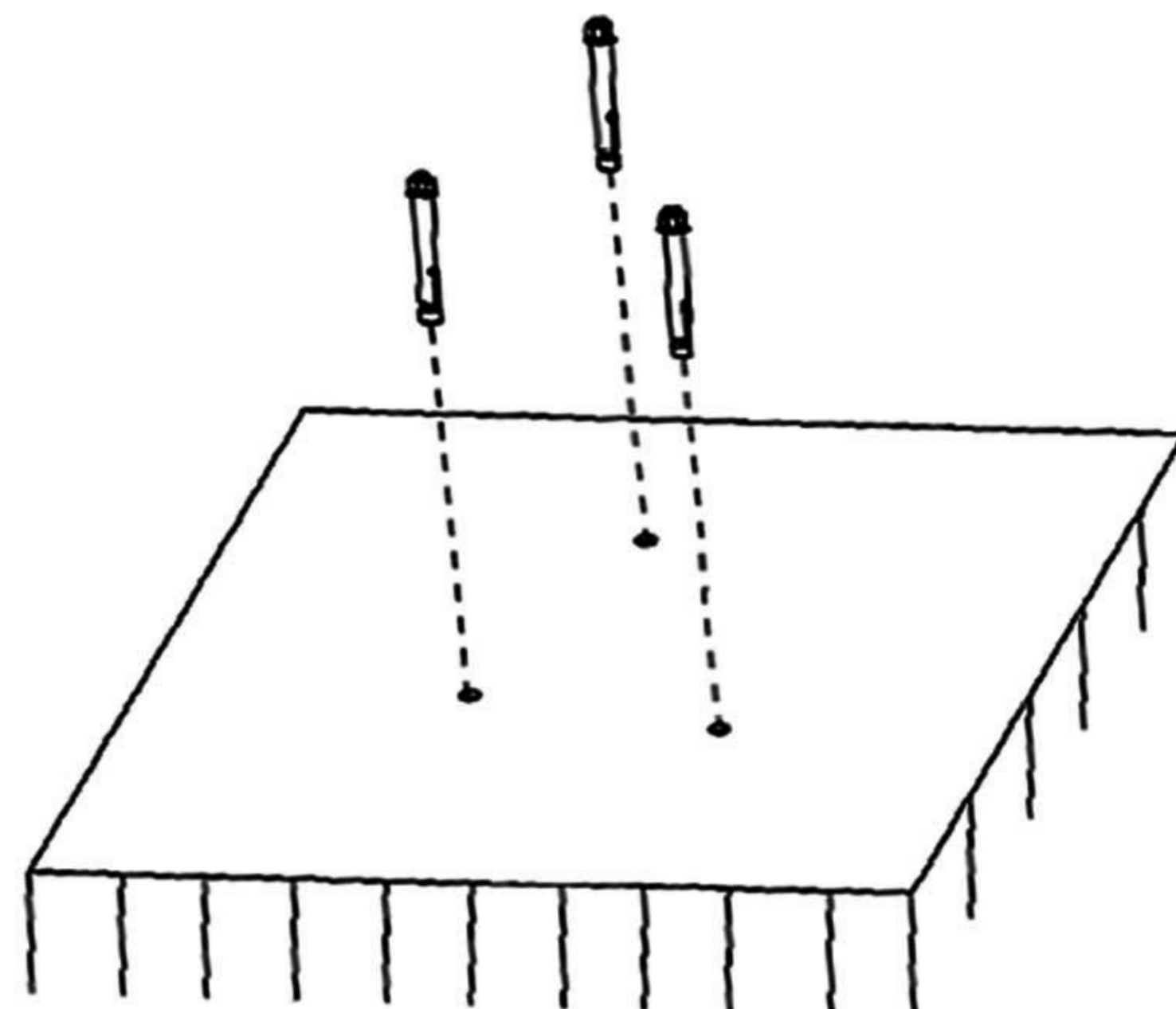
Recommended Pole Height 1m
 Net Weight (Kg) 13
 Package Dimension (mm) 1050*360*375



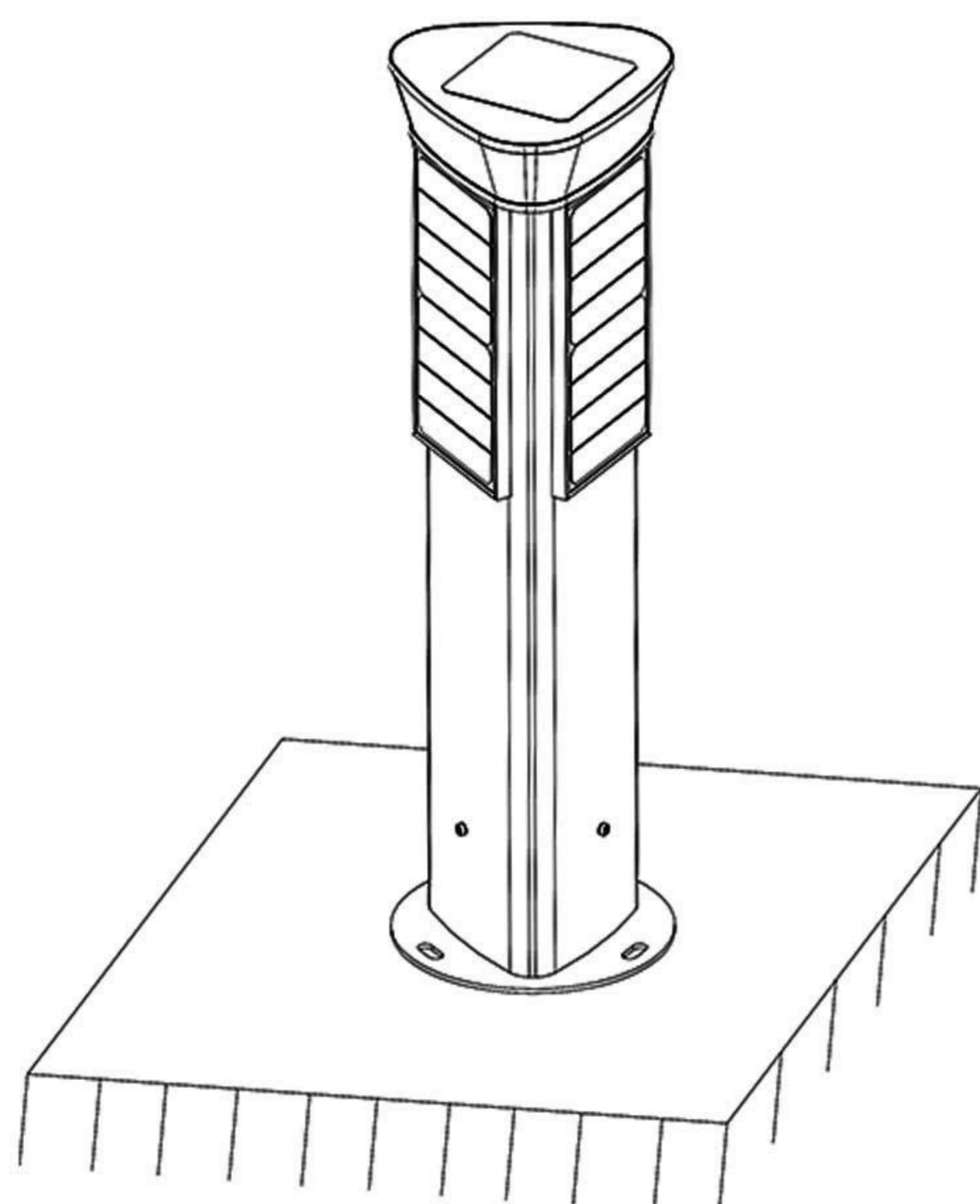
1. Place battery and MPPT controller as per below drawing. Match holes location, then fix it with 2 pcs of M4 lock nuts and 4 pcs of M6 eye nuts.



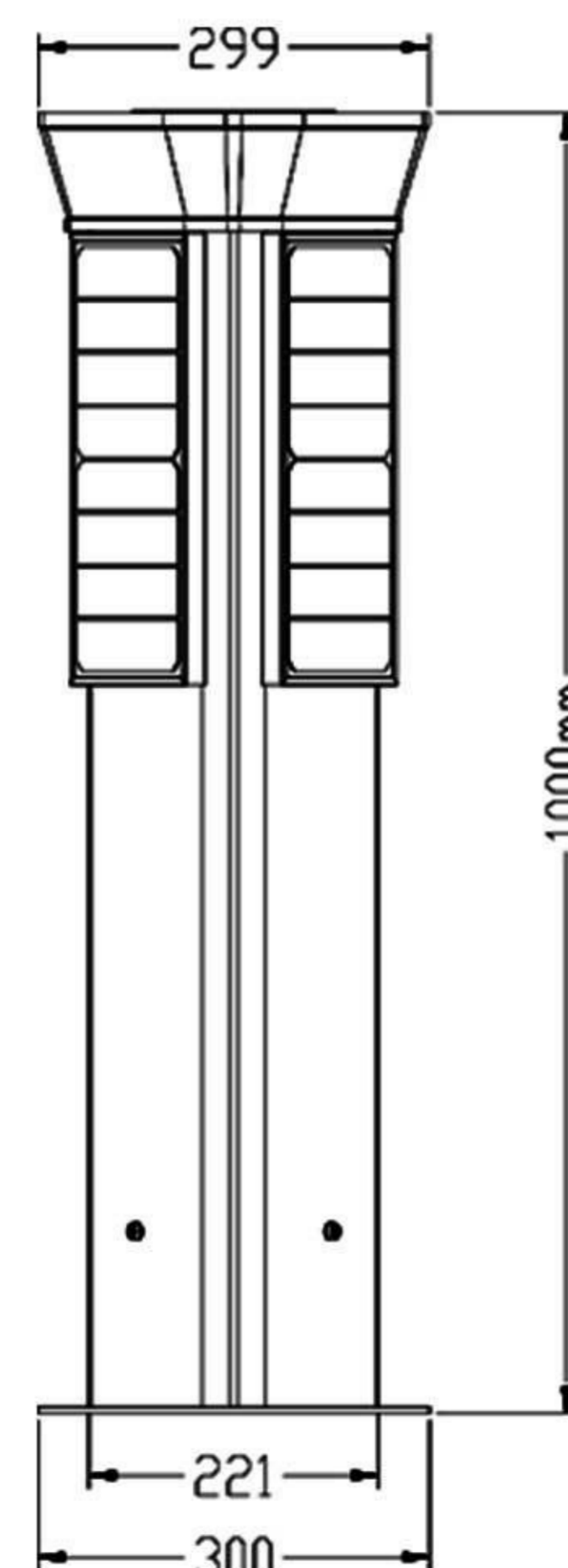
2. Connect the wiring between the LED, solar panel, and battery.



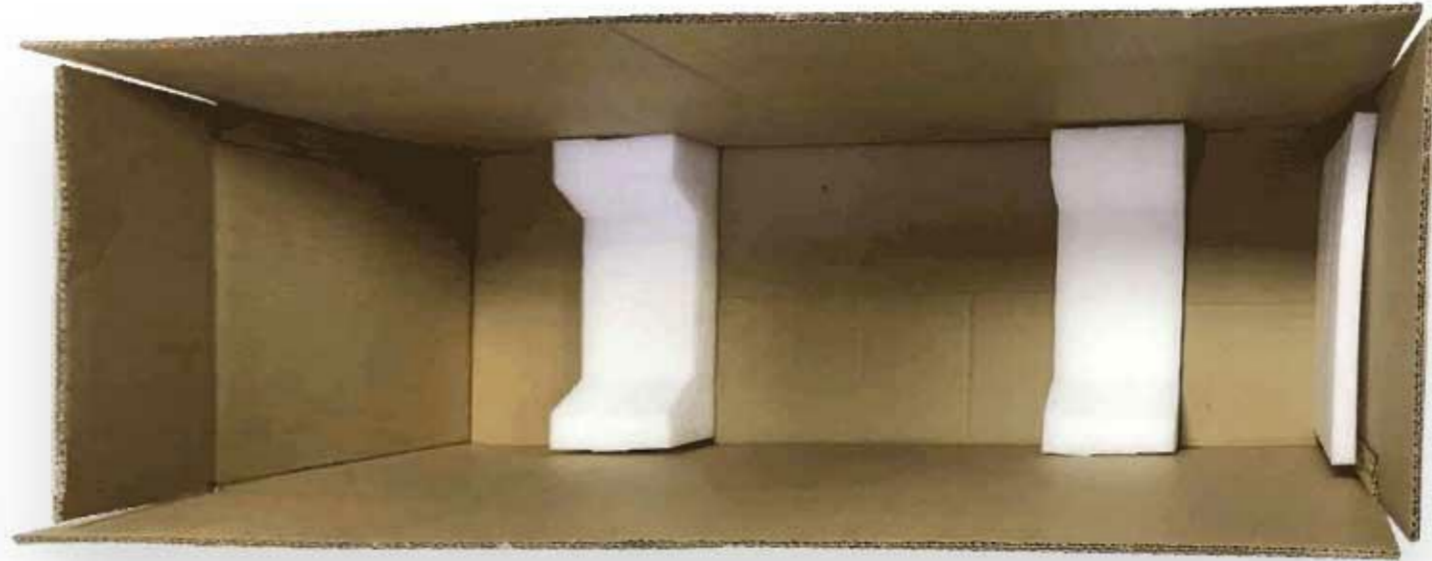
3. Unlock the buckle, place solar panel as per below drawing, buckle up.



4. Place bracket as per below drawing, and match the location of holes and fix it with screws.



Step 1



Step 2



Step 3



Step 4



Model NO.	QTY(PCS)	Carton Size(mm)	Net Weight
-----------	----------	-----------------	------------

MINI HELIOS

1

1050*360*375

15kg

MINI HELIOS

SOLAR STREET LIGHT

