

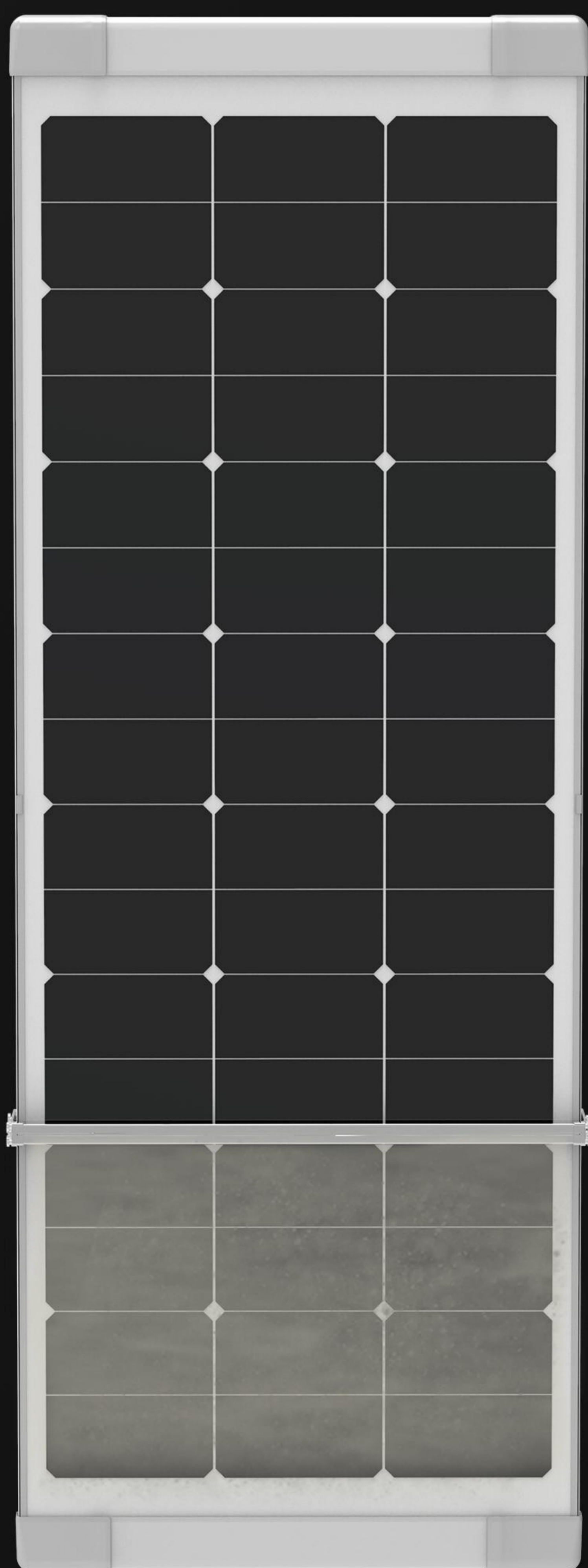


**EOS-200W**

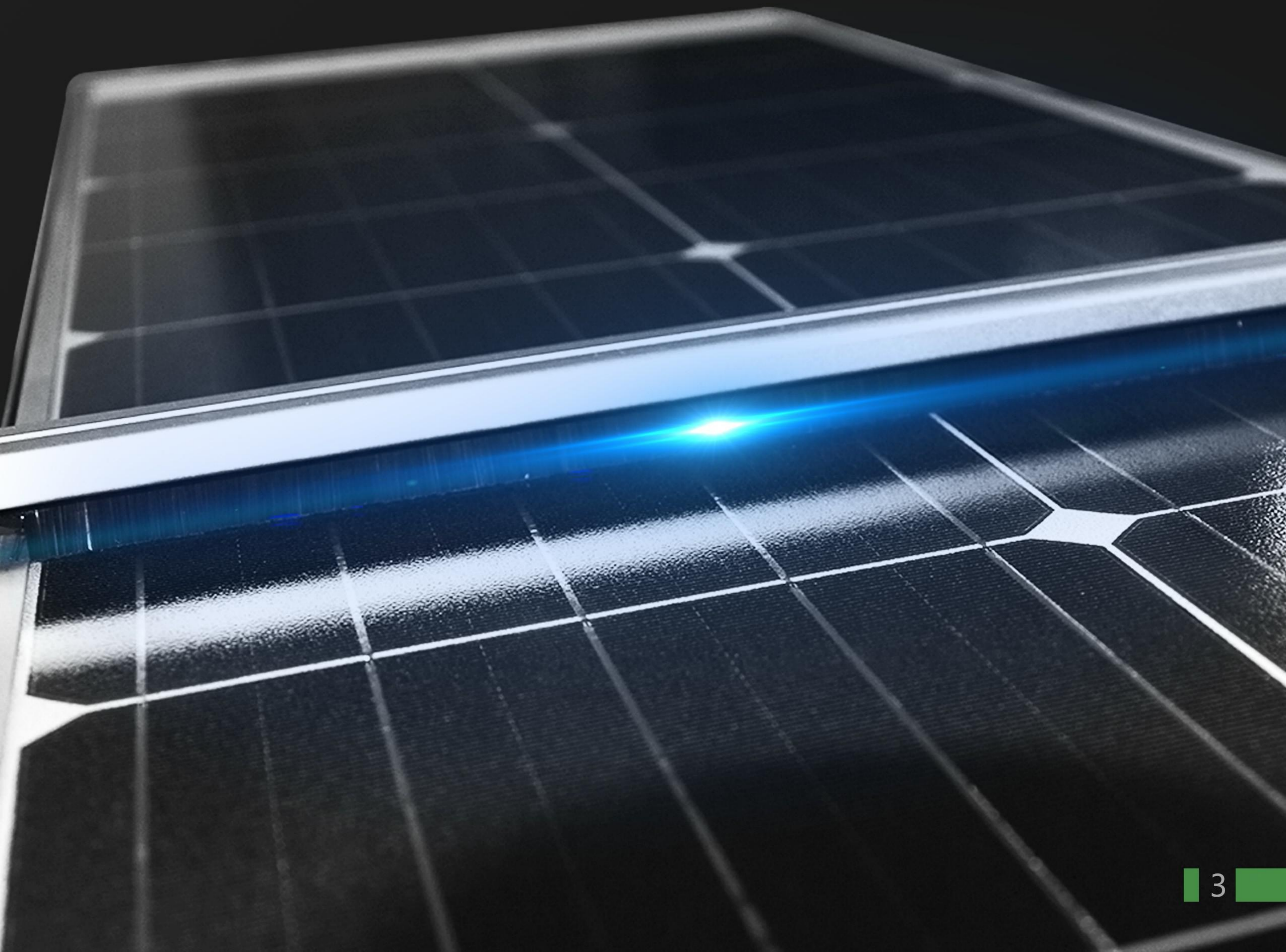




LED module can be adjustable



*Automatically Self-Cleaning*



# ALSO WE HAVE WHAT OTHERS DON'T



Patented design



Automatically self-cleaning



High efficiency solar panel  
(24% efficiency)



All aluminium alloy design



Remote control



Customized lamp head

|                 |          |
|-----------------|----------|
| <b>Mode NO.</b> | EOS-200W |
|-----------------|----------|

## Lighting

|              |                                      |
|--------------|--------------------------------------|
| Light Output | 20000-25000LM                        |
| LED Chip     | Super bright LED                     |
| CCT          | 3000-6500K                           |
| Life Span    | 100,000 hours to LM80 specifications |
| Working Way  | Motion Sensor / IoT / Time Schedule  |

## Solar Panel

|                    |                          |
|--------------------|--------------------------|
| Power of PV module | 200W                     |
| Life Span          | 80% power after 25 years |

## Storage

|                            |                         |
|----------------------------|-------------------------|
| Battery Capacity           | 1715WH                  |
| Lighting time in rainy day | >10 days                |
| Life Span                  | 4000 Cycles (>10 years) |

## Charging Controller

|              |                                    |
|--------------|------------------------------------|
| Life Span    | >12 years                          |
| Working Mode | MPPT                               |
| Control Mode | Intelligent, activated by sunlight |

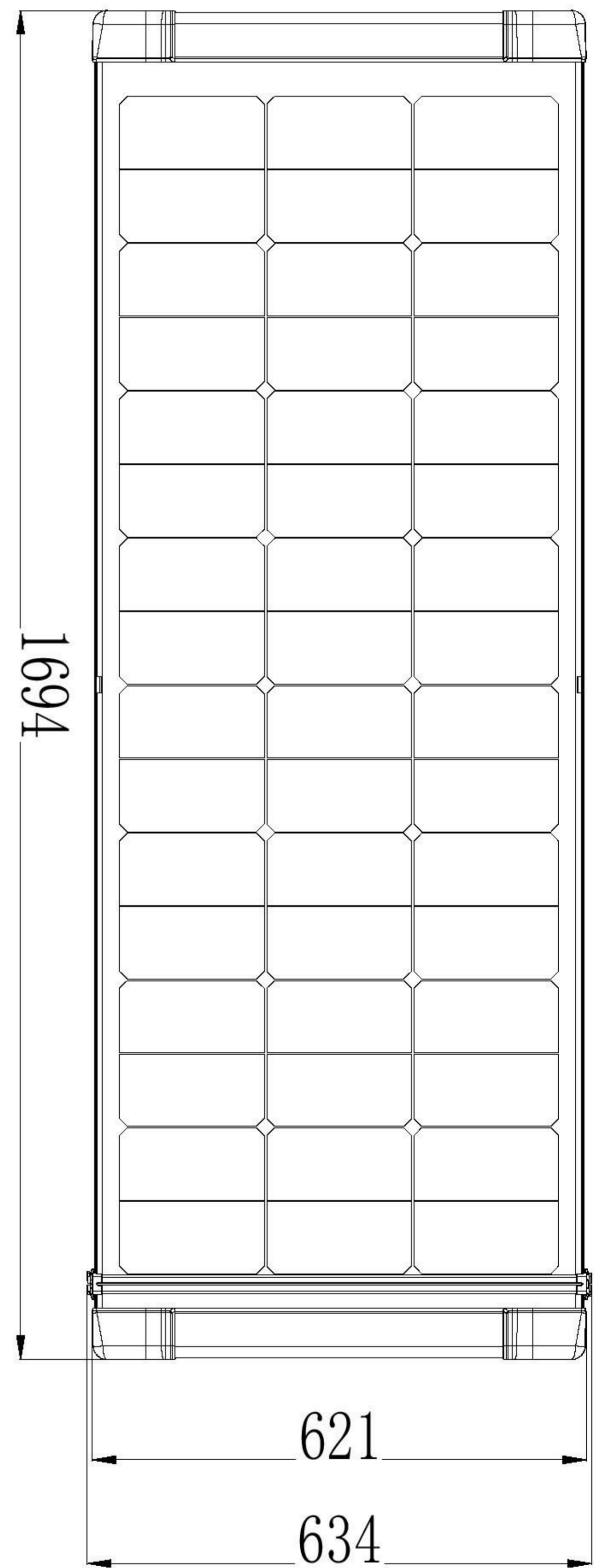
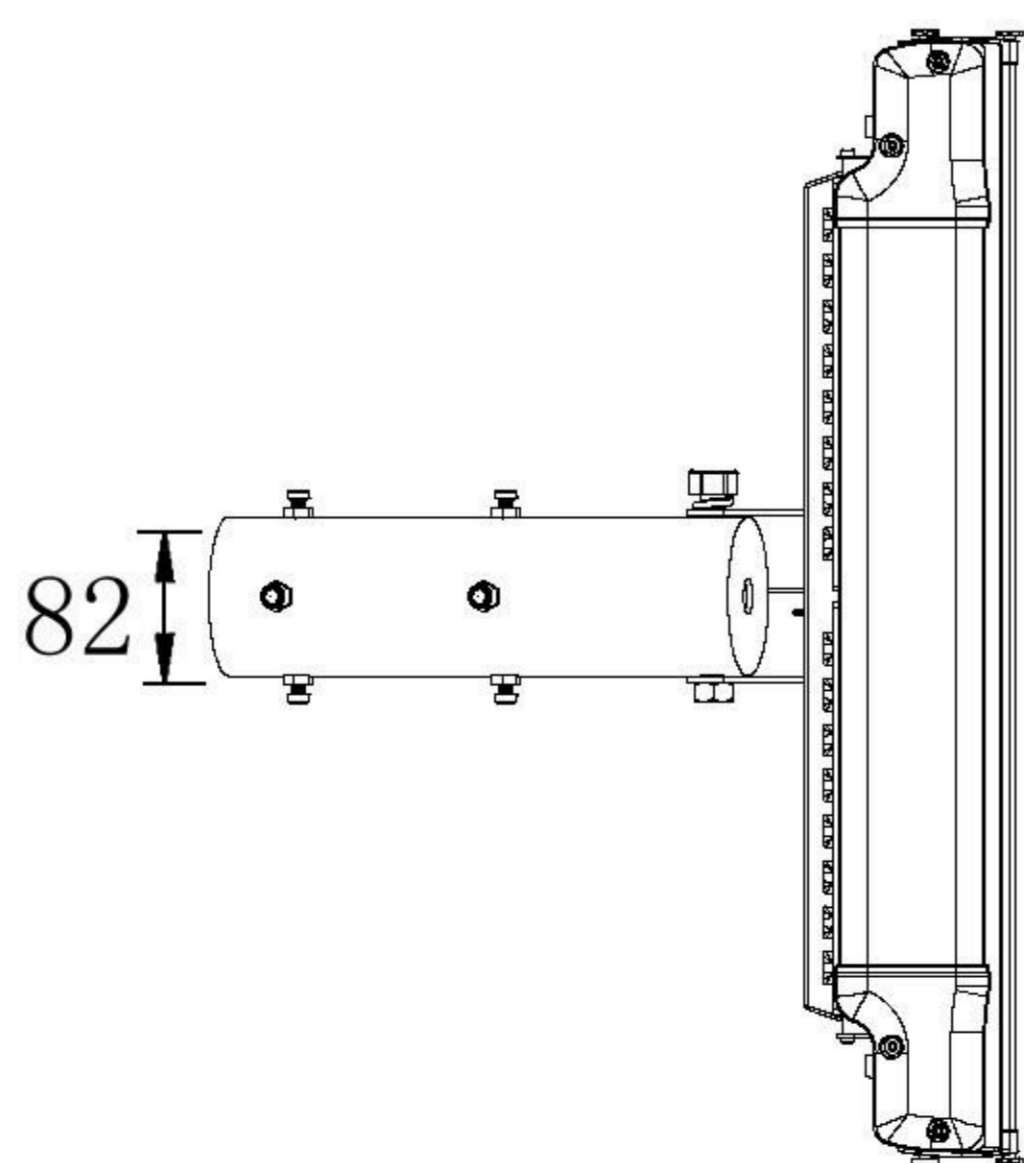
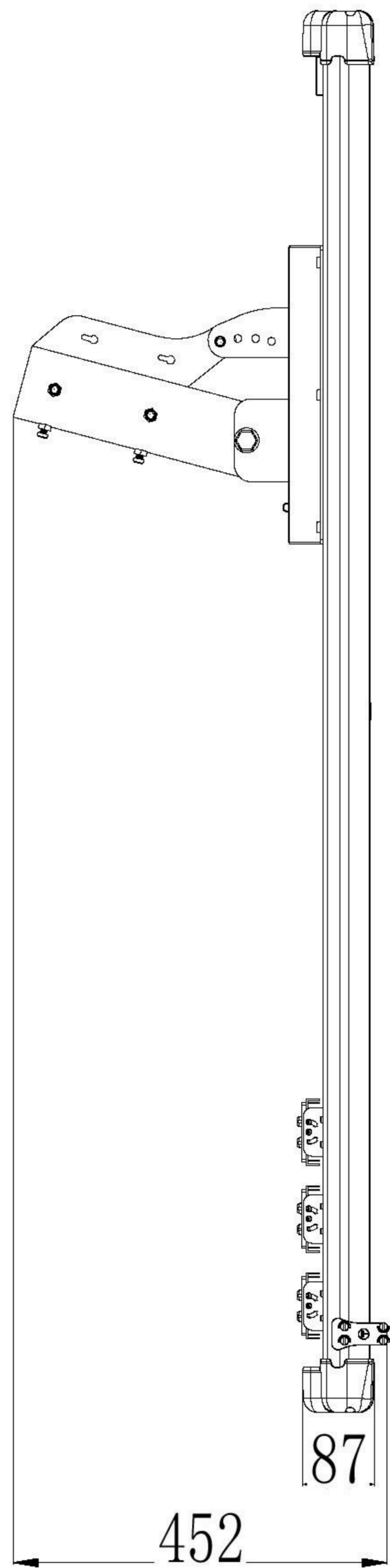
## Environment

|                     |                |
|---------------------|----------------|
| Working Temperature | -15°C to +70°C |
| Water Resistance    | IP65           |

|                              |     |
|------------------------------|-----|
| <b>Solar Panel Autoclean</b> | Yes |
|------------------------------|-----|

## Mechanical Specifications

|                         |               |
|-------------------------|---------------|
| Recommended Pole Height | 14-16m        |
| Net Weight(Kg)          | 45Kg          |
| Product Dimension (mm)  | 1694x634x87mm |



(unit of measure: mm)

# *EOS-200W*

*SOLAR STREET LIGHT*

