

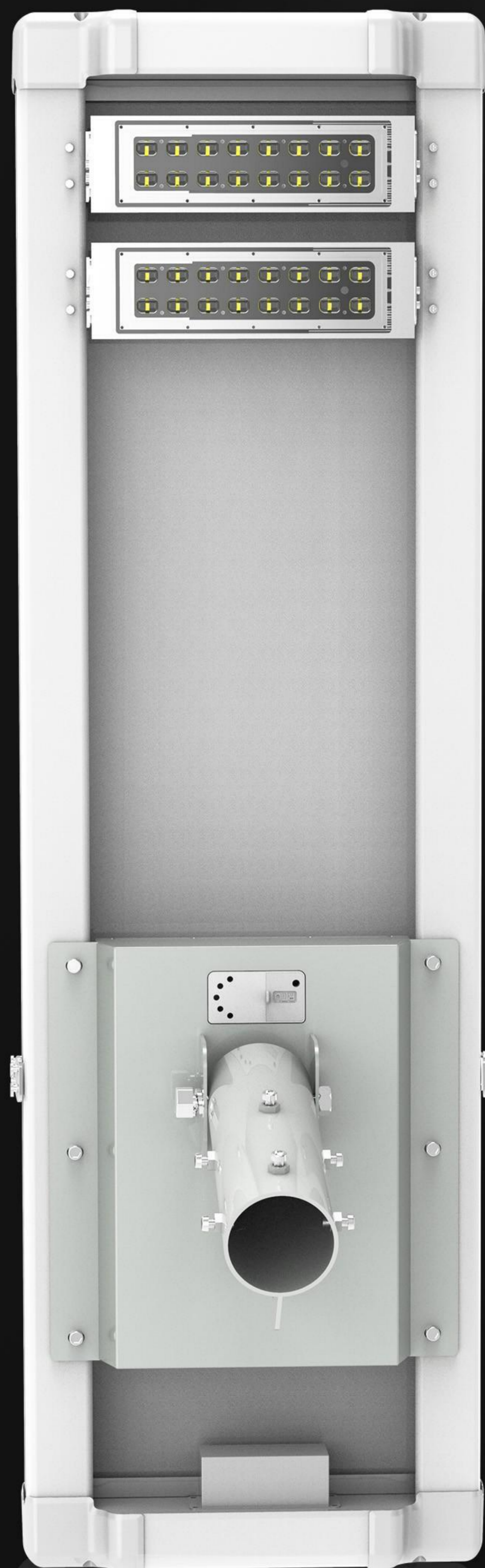
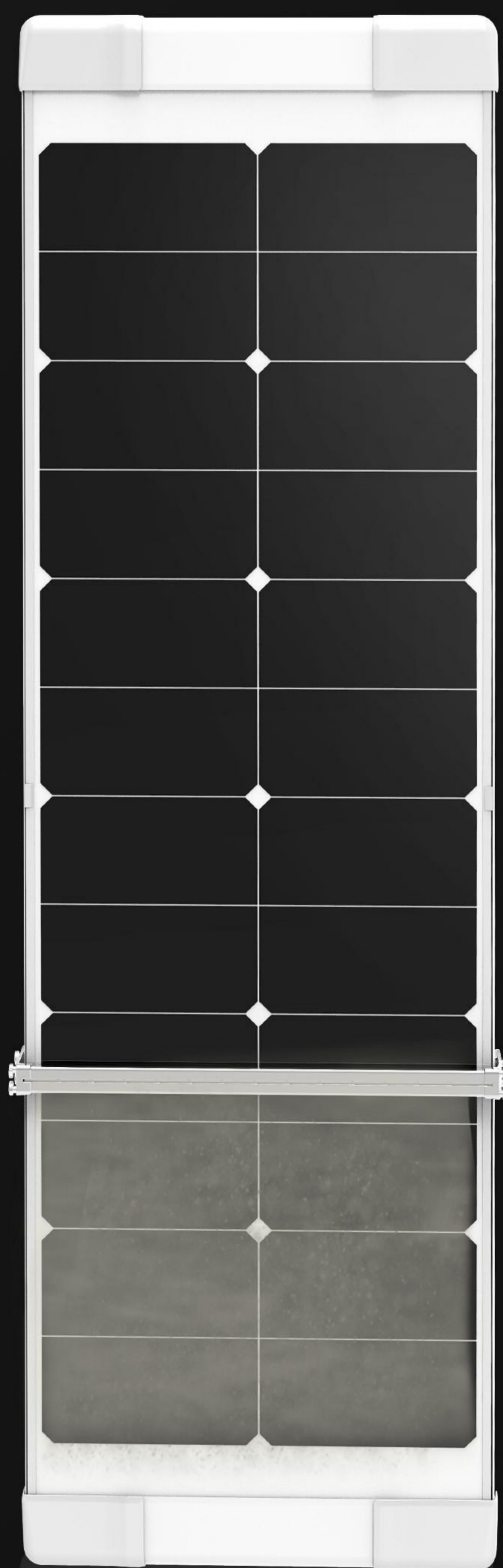


EOS-100W

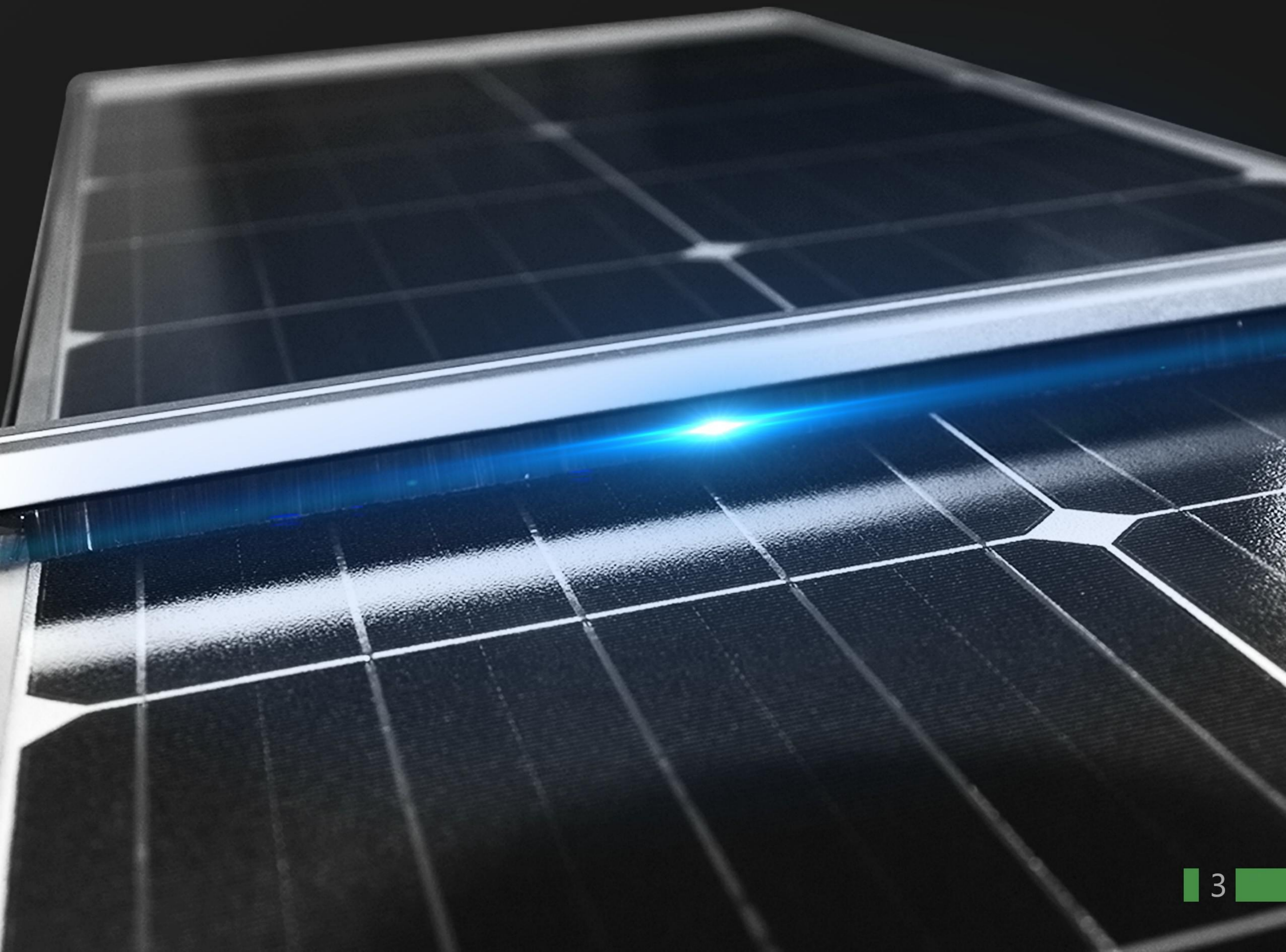




LED module can be adjustable



Automatically Self-Cleaning



ALSO WE HAVE WHAT OTHERS DON'T



Patented design



Automatically self-cleaning



High efficiency solar panel
(24% efficiency)



All aluminium alloy design



Remote control



Customized lamp head

Mode NO.	EOS-100W
-----------------	----------

Lighting

Light Output	9000-10000LM
LED Chip	Super bright LED
CCT	3000-6500K
Life Span	100,000 hours to LM80 specifications
Working Way	Motion Sensor / IoT / Time Schedule

Solar Panel

Power of PV module	100W
Life Span	80% power after 25 years

Storage

Battery Capacity	640WH
Lighting time in rainy day	>10 days
Life Span	4000 Cycles (>10 years)

Charging Controller

Life Span	>12 years
Working Mode	MPPT
Control Mode	Intelligent, activated by sunlight

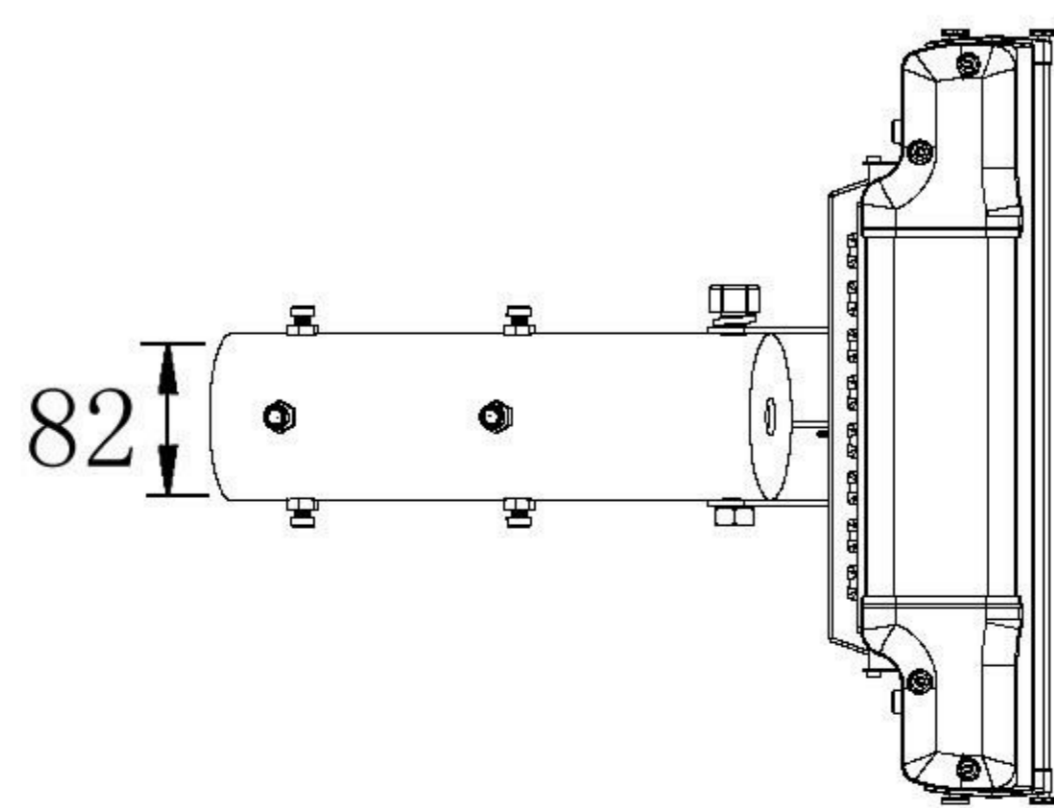
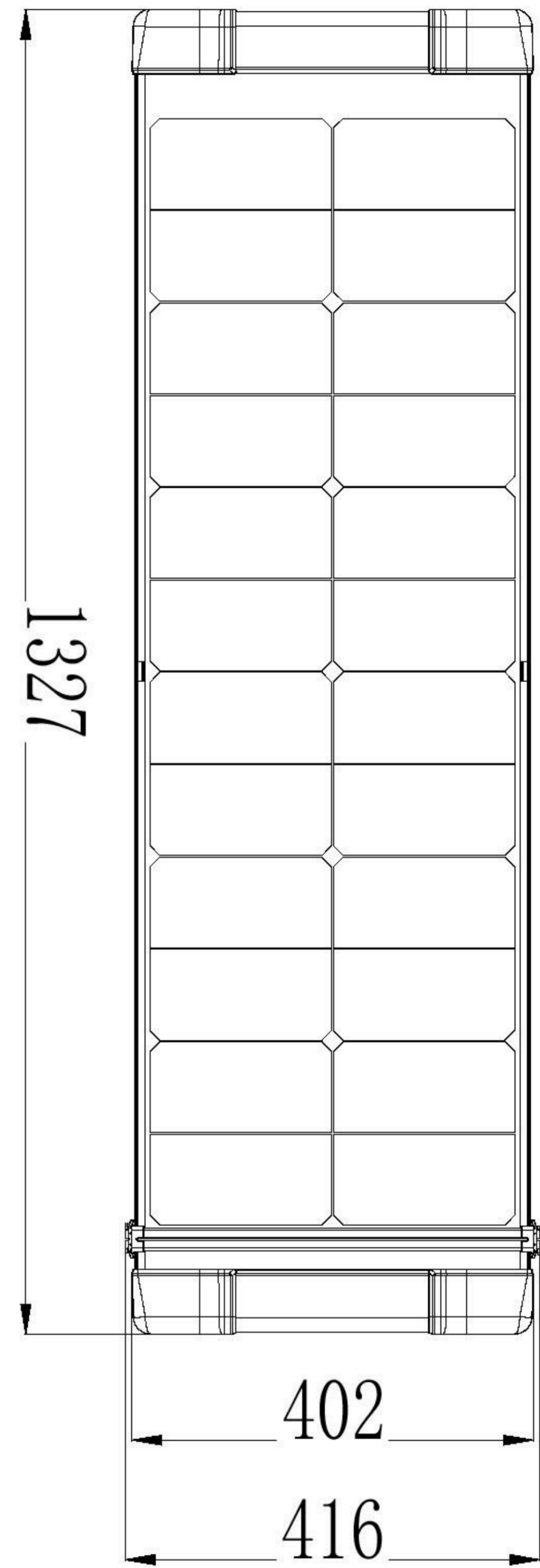
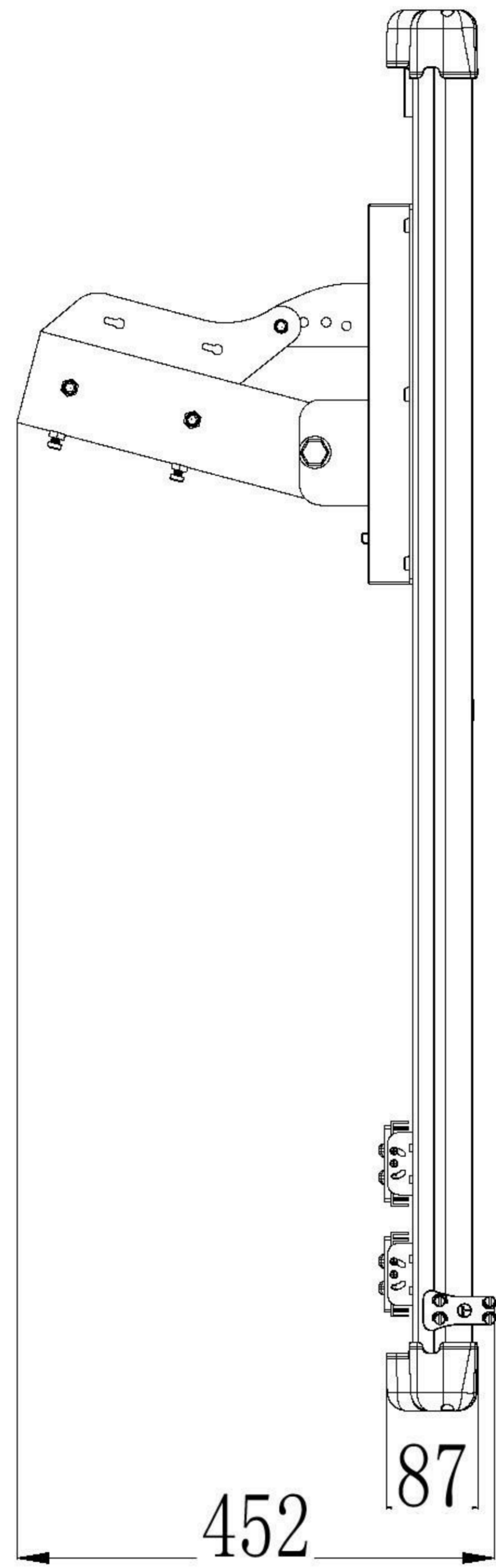
Environment

Working Temperature	-15°C to +70°C
Water Resistance	IP65

Solar Panel Autoclean	Yes
------------------------------	-----

Mechanical Specifications

Recommended Pole Height	6-8m
Net Weight(Kg)	24Kg
Product Dimension (mm)	1327x416x87mm



(unit of measure: mm)

EOS-100W

SOLAR STREET LIGHT

