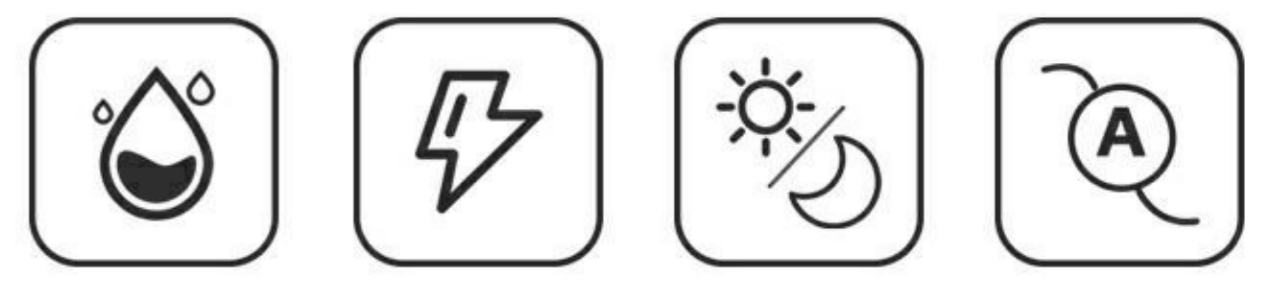




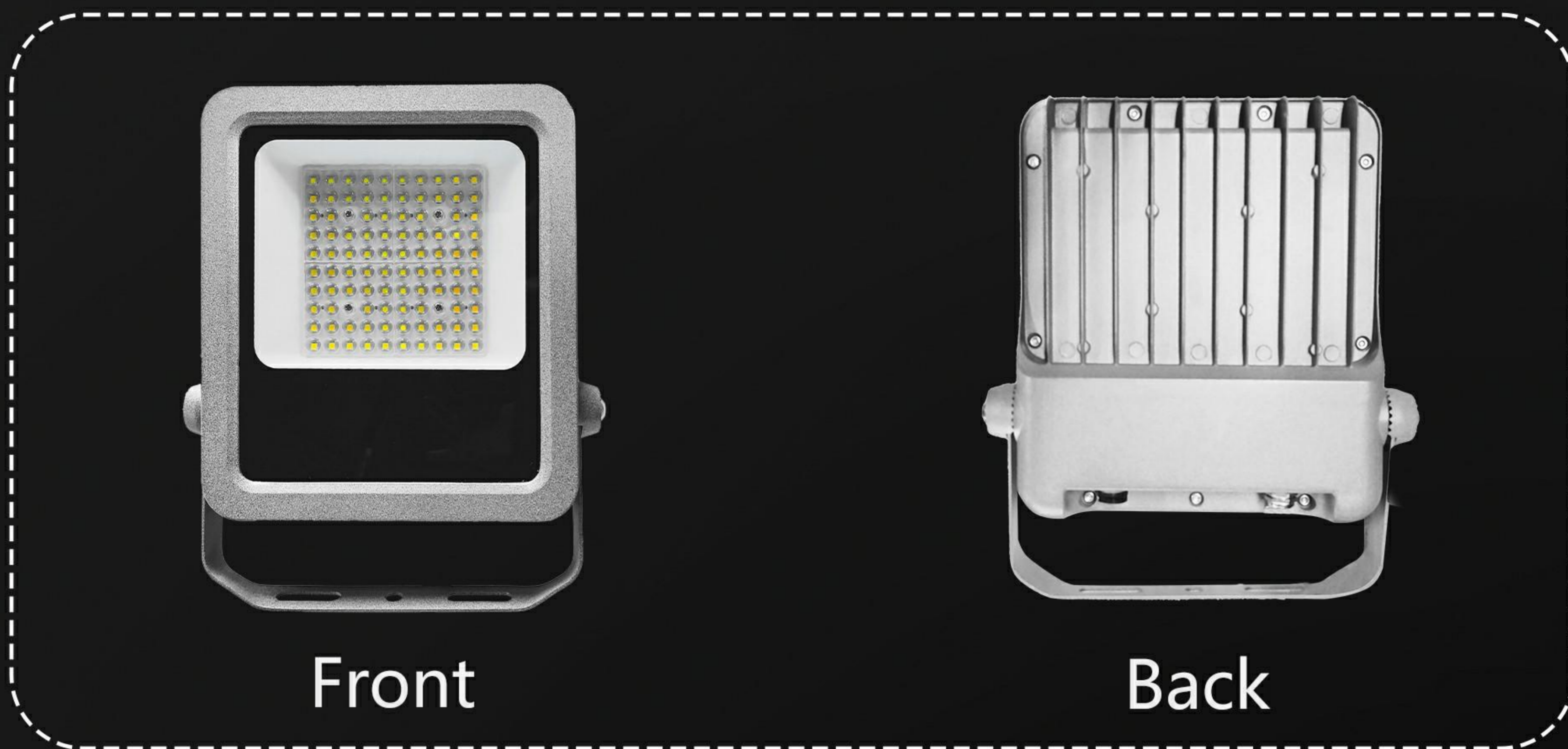
FLOODLIGHTS  
**CP200**



## OPTIONAL

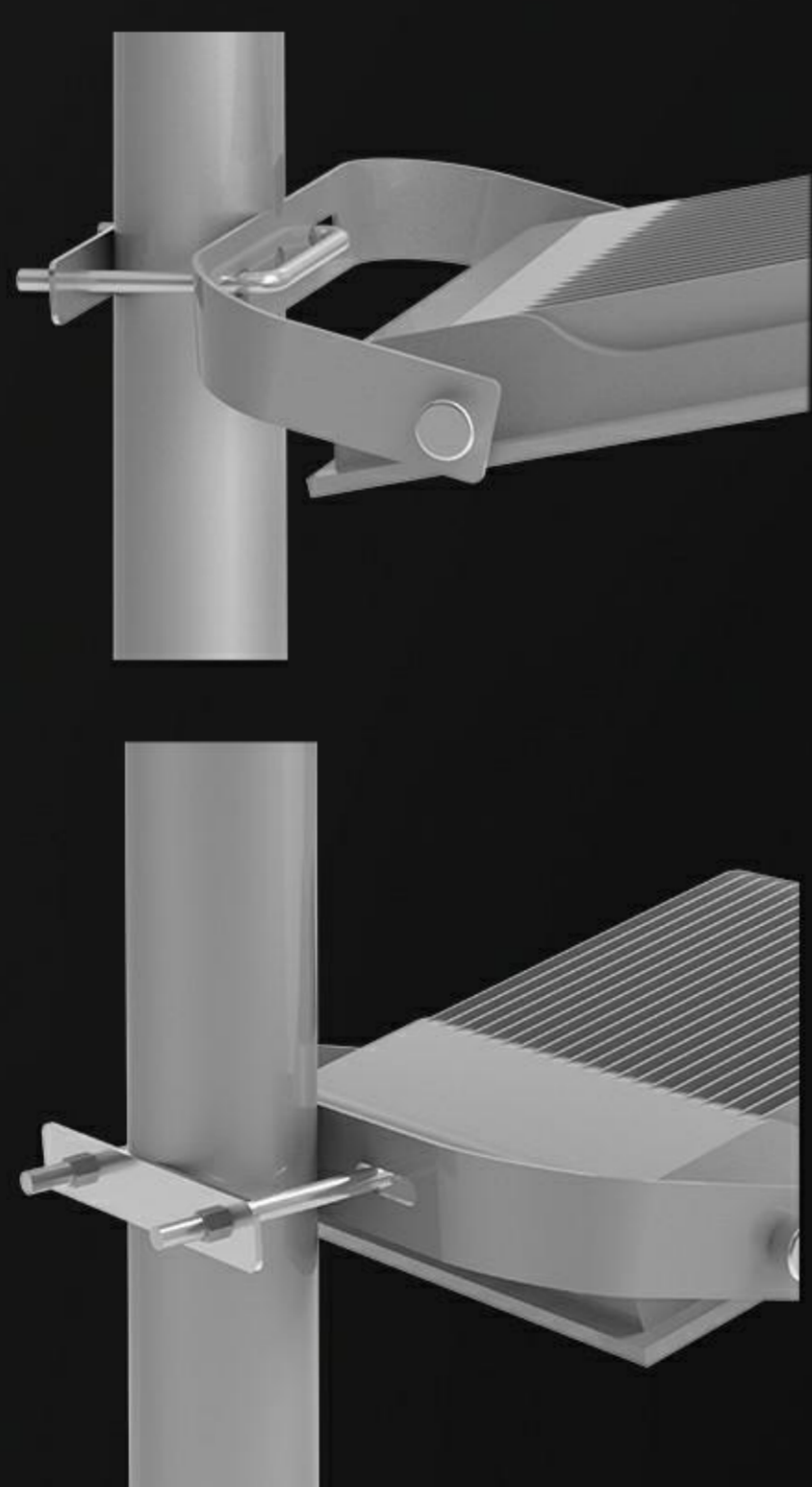
Multiple options for floodlight head are available

### FLOODLIGHT



Front

Back

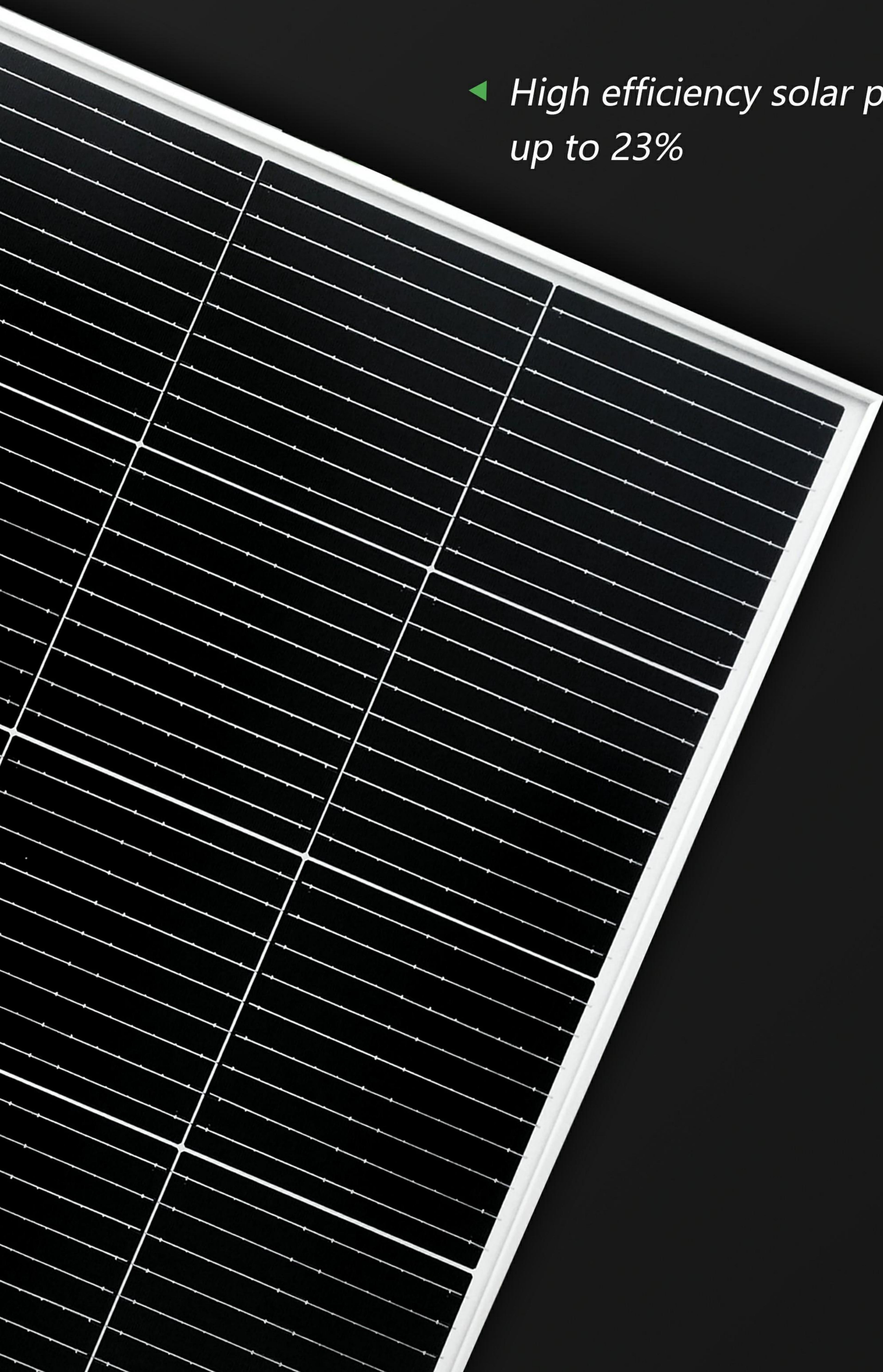


Fixing Method



Adjustable Angle

- ◀ *High efficiency solar panel up to 23%*



## LiFePO4 Battery

◀ *Over 4,000 Cycles (> 10 years)*



**Mode NO.** CP200-Floodlight

## Lighting

Light Power	30W-200W
Light Output	180 LM/W – 200 LM/W
LED Chip	High bright 3030 /5050
CCT	2700-6000K (can be customized)
Life Span	100,000 hours to LM80 specifications
Working Way	IoT / Time Schedule

## Solar Panel

Power of PV module	240W
Life Span	80% power after 25 years

## Storage

Battery Capacity	1100WH / 1500WH
Lighting time in rainy day	>10 days
Life Span	4000 Cycles (>10 years)

## Charging Controller

Life Span	>12 years
Working Mode	MPPT
Control Mode	Intelligent, activated by sunlight

## Environment

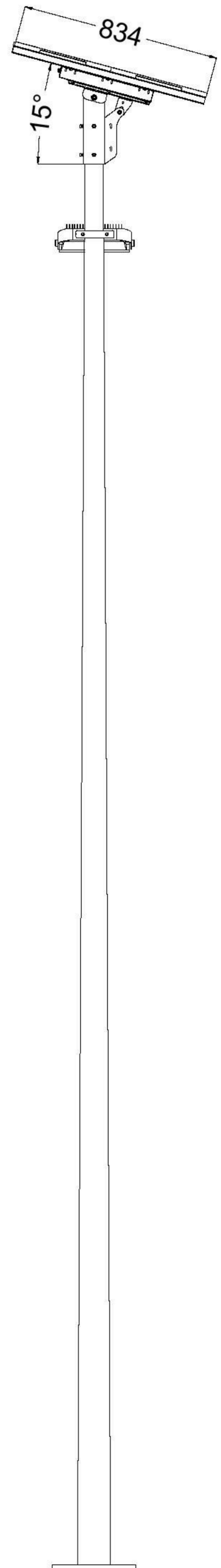
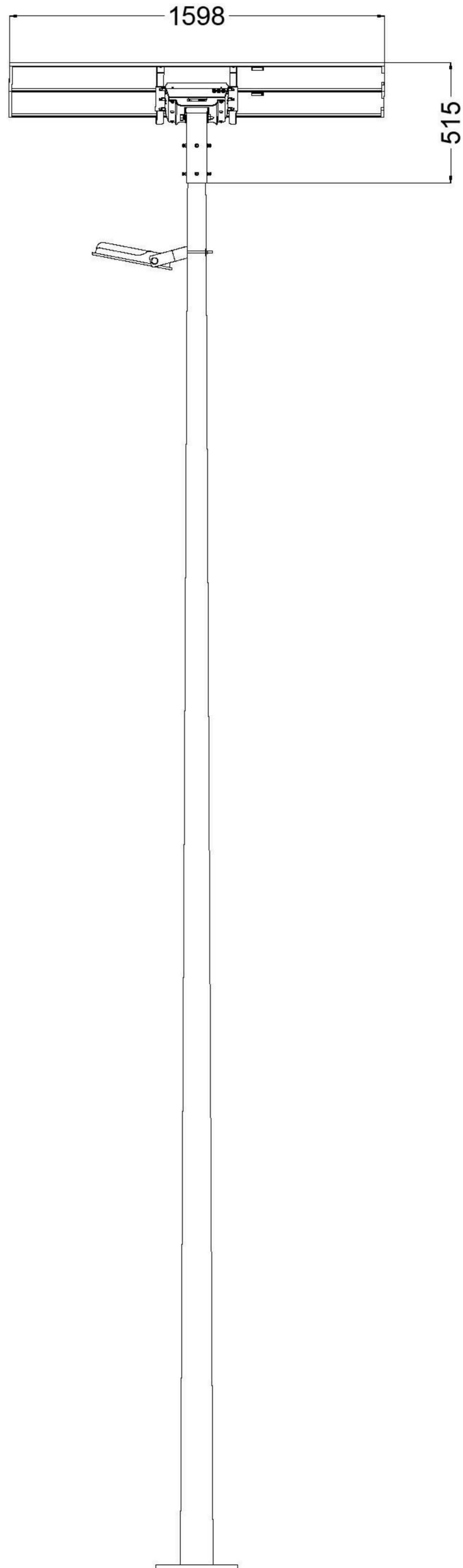
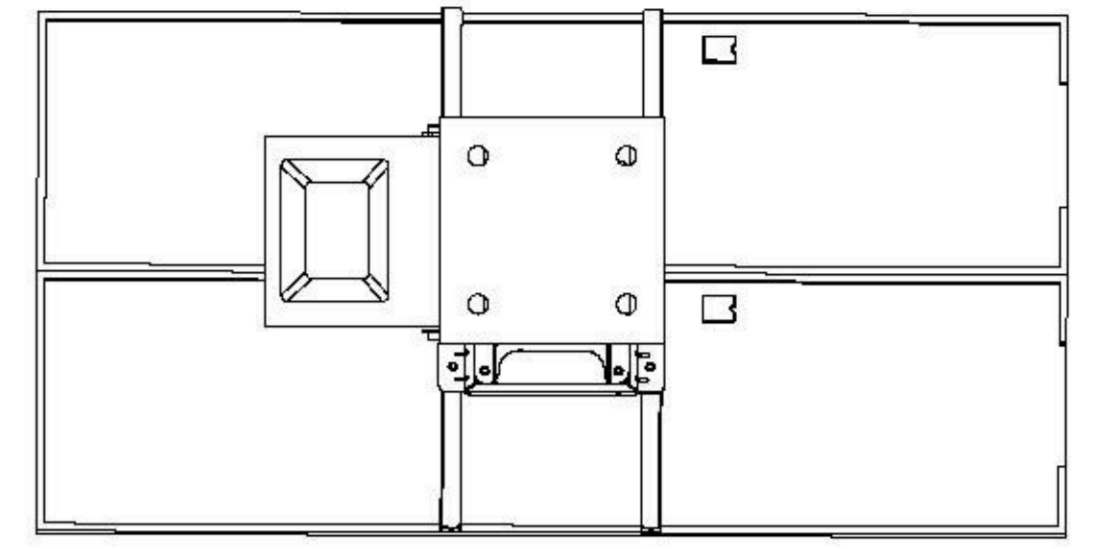
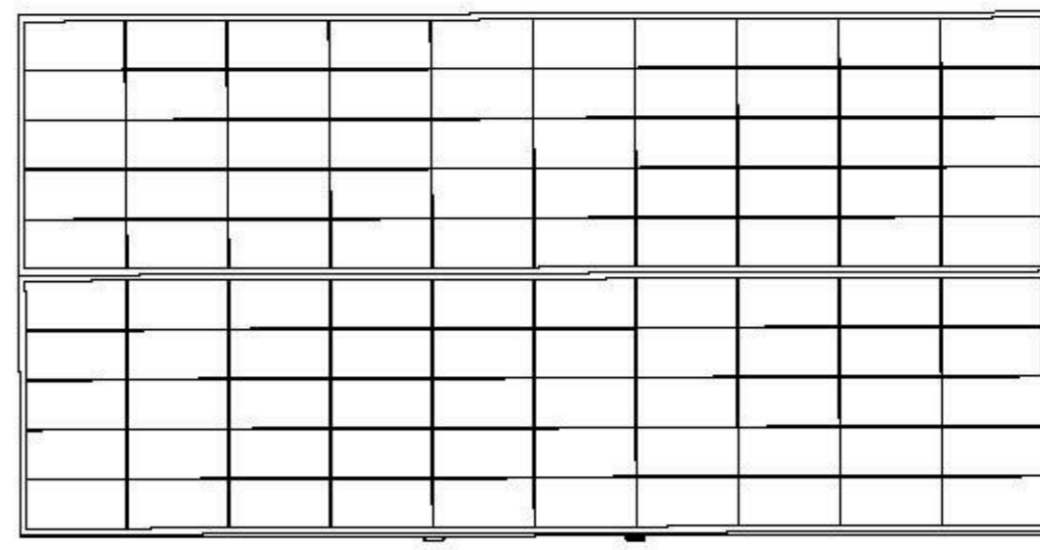
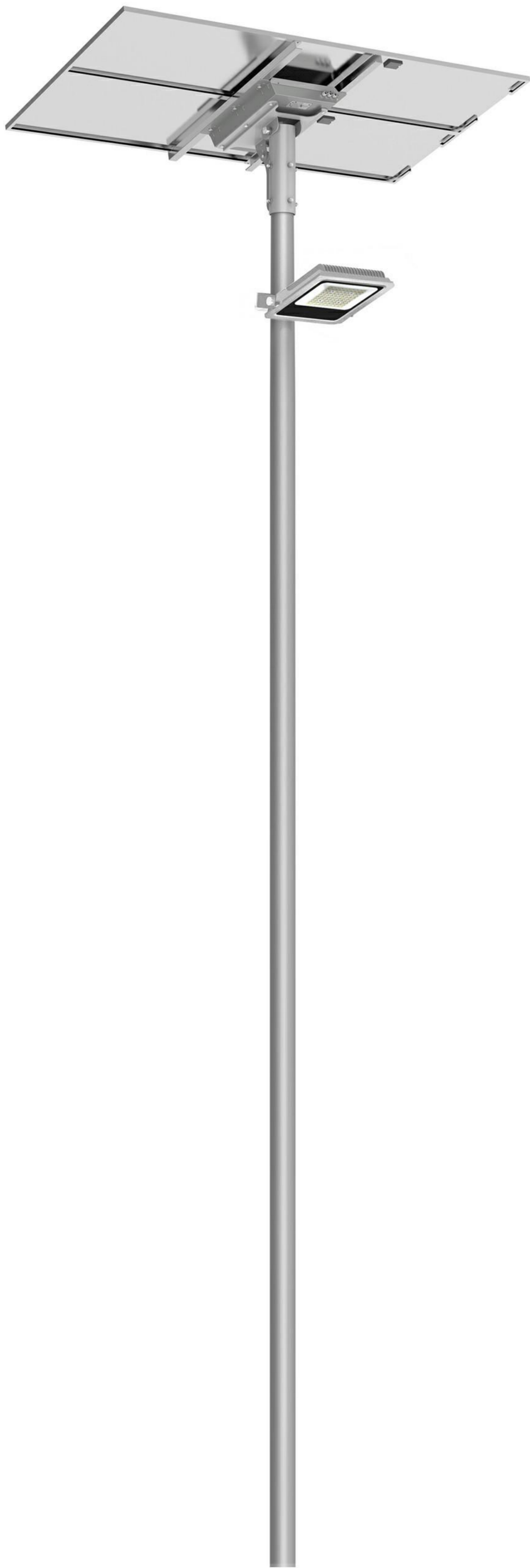
Working Temperature	-15°C to +70°C
Water Resistance	IP65

## Solar Panel Autoclean

—

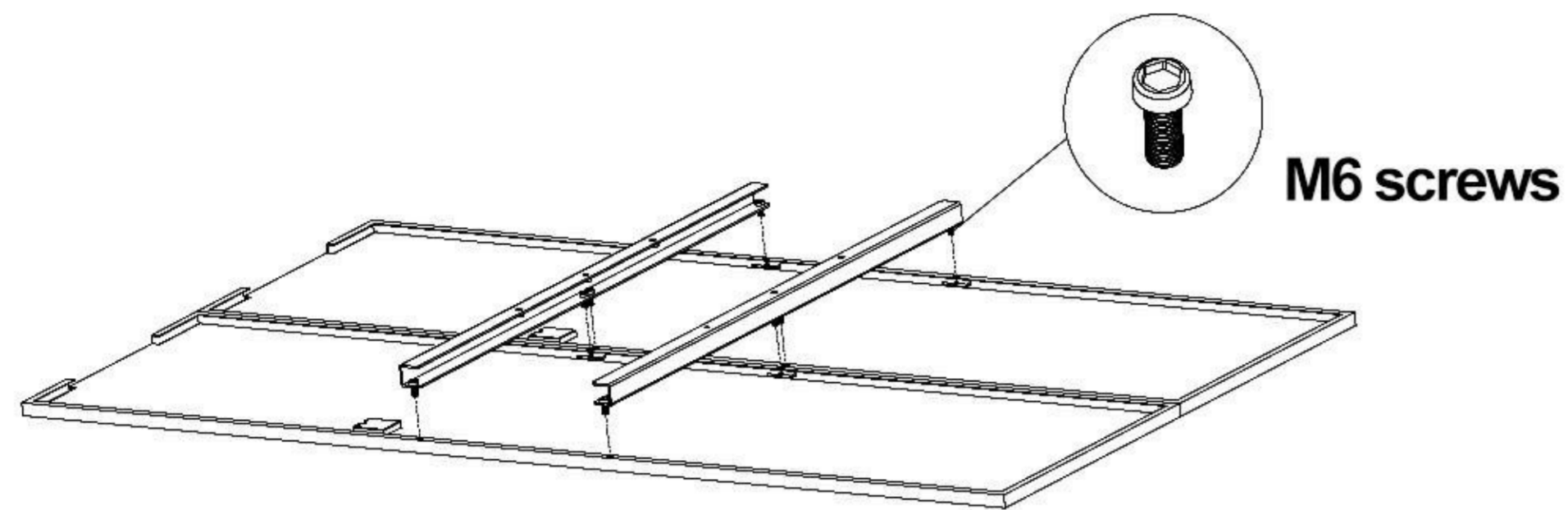
## Mechanical Specifications

Recommended Pole Height	8m-10m
Net Weight (Kg)	40
Product Dimension (mm)	1598*834*515

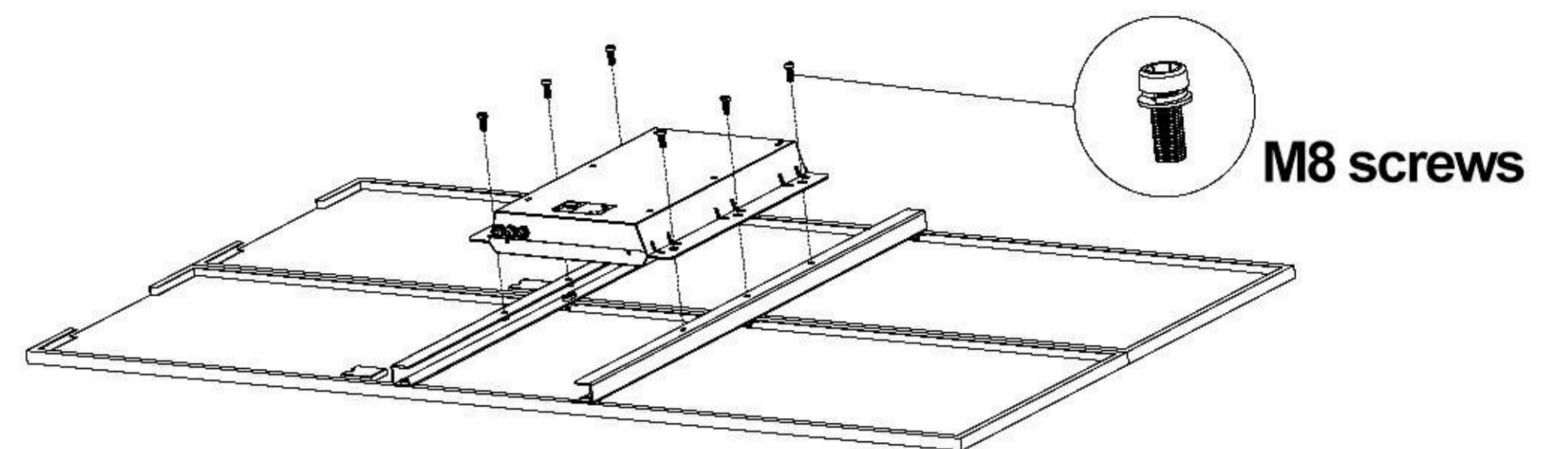


(Unit:mm)

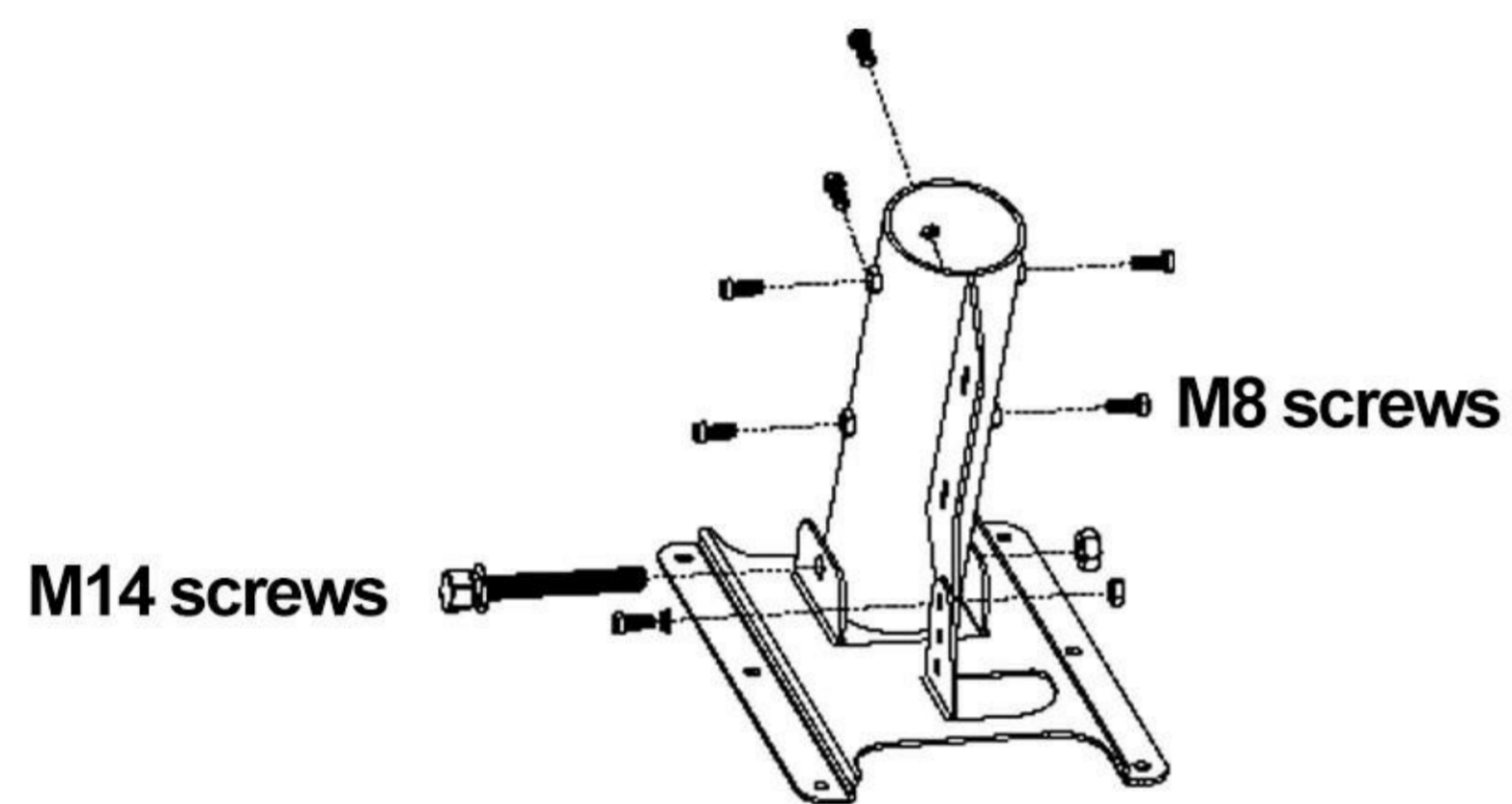
1. Place the U-shaped strip flat on the back of the solar panel and lock it in place with 8PCS M6 screws and M6 nut strips at the corresponding hole positions.



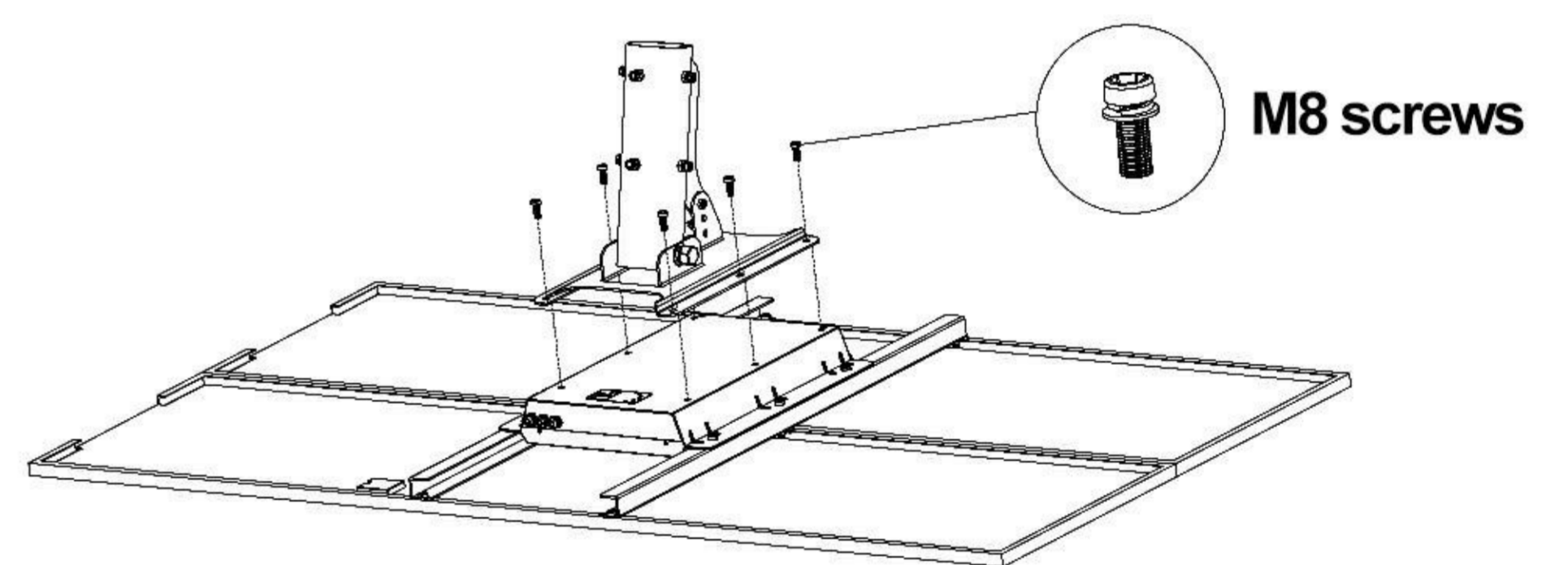
2. Secure the tailstock box onto the U-shaped strip by locking it with 6PCS M8 screws at the corresponding hole positions.



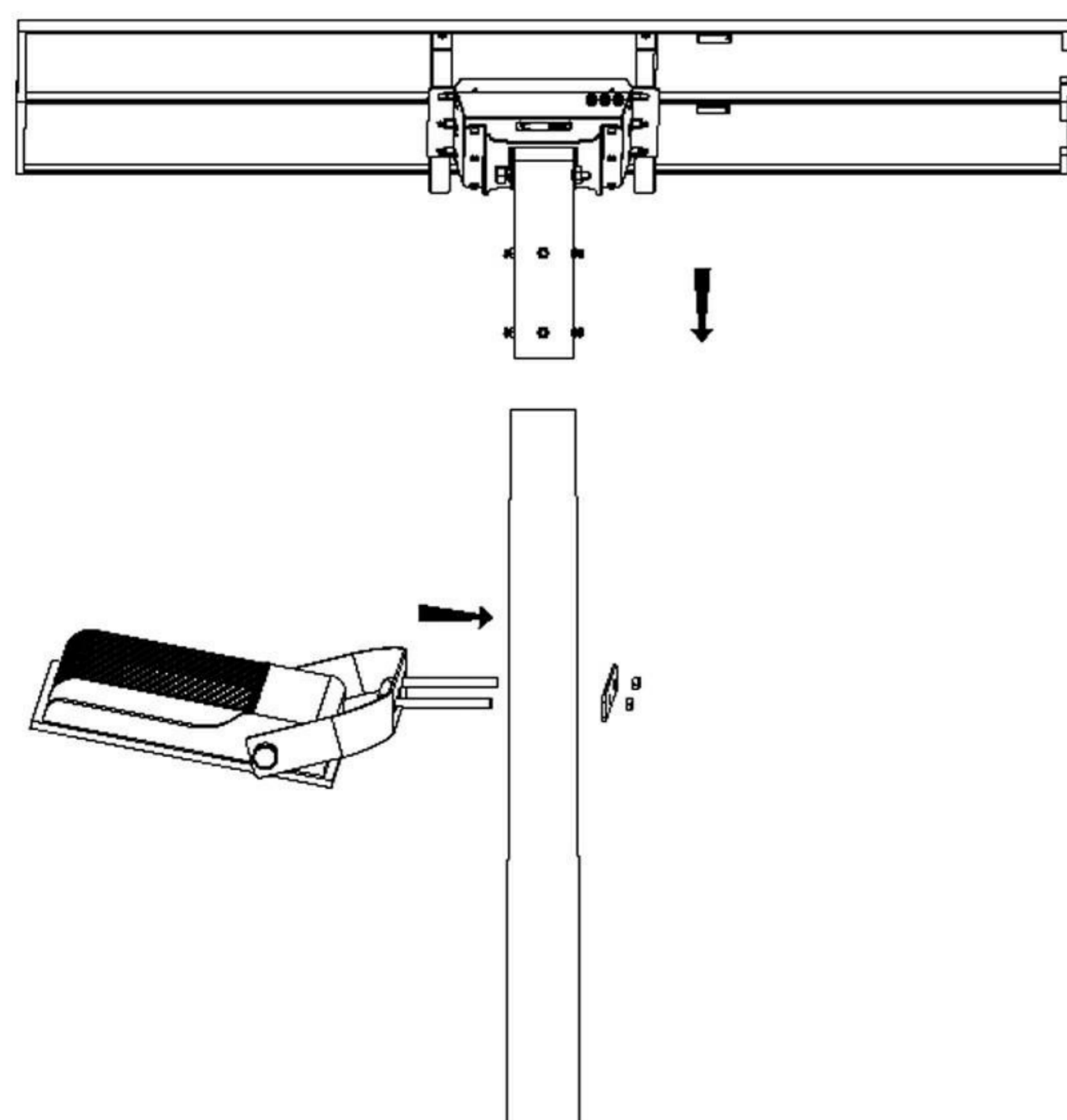
3. Assemble the rotating tailstock. Secure the tailstock with 1PCS M14 and M8 screws and nuts, and pre-lock the tailstock shaft with 6PCS M8 screws.



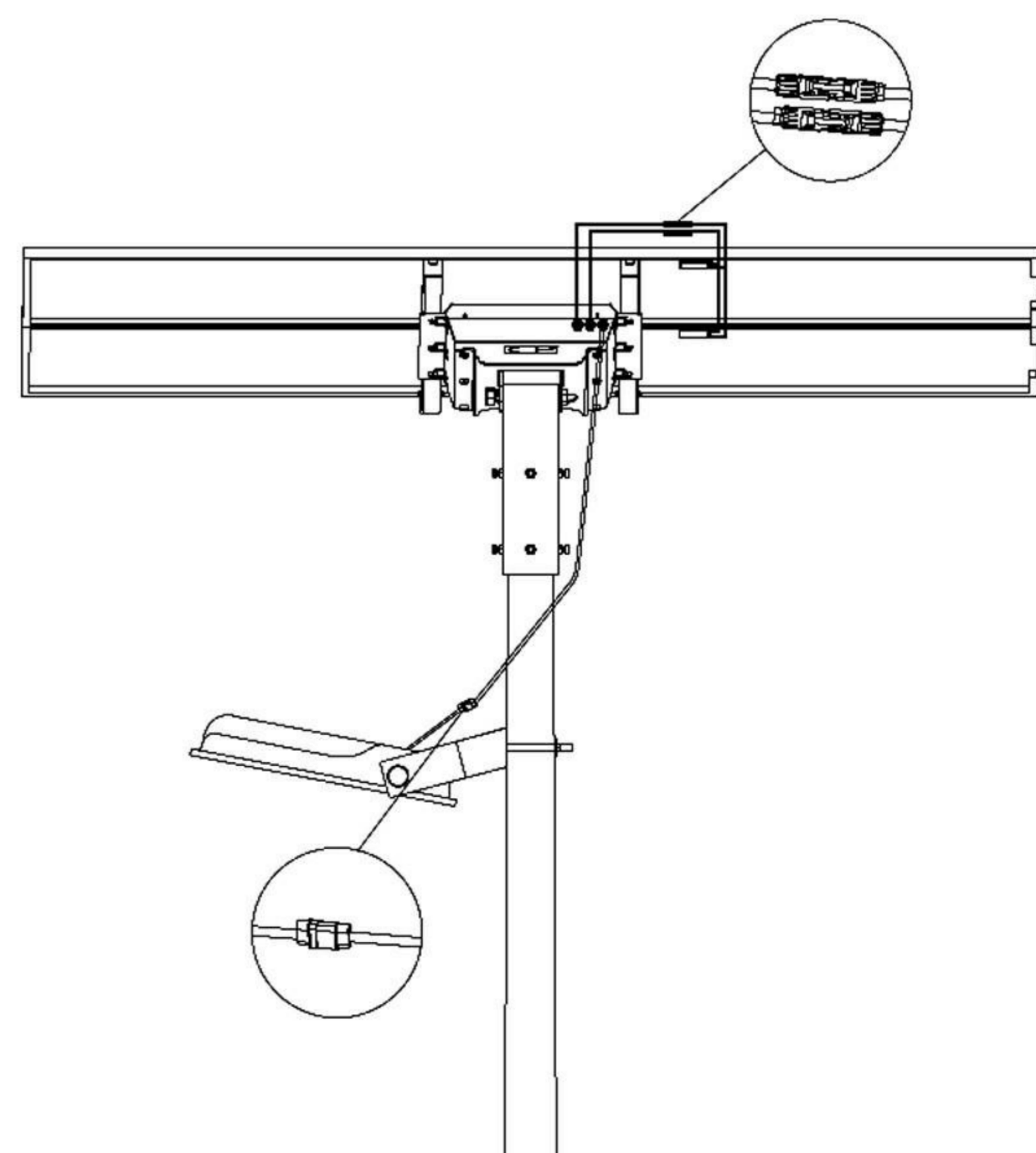
4. Secure the rotating tailstock onto the tailstock box by locking it with 6PCS M8 screws at the corresponding hole positions.



5. Put the tailstock pole into the light pole and lock the screws; fix the LED light fixtures.



6. Connect the solar panel and the LED lighting fixture's terminal connectors correspondingly.



# CP200

SOLAR STREET LIGHT

