

LED

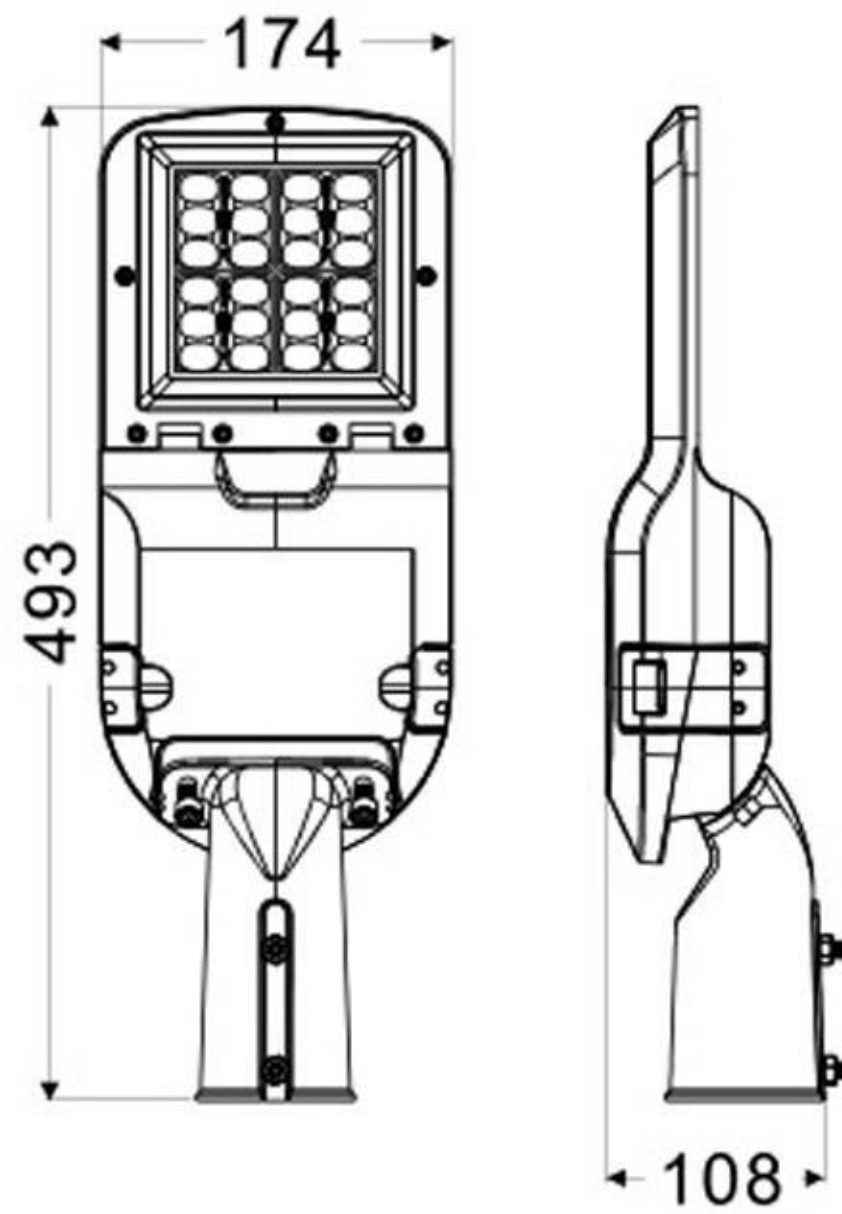


Color



- Patent private mould, integrated die-casting AL.
- High efficiency, 200lm/w available.
- Professional anti-glare lens : PC full cutoff lens T2S/T2M/T3M.
- 0/1-10V dimming, time control, light sensing, iot control and other functions are optional.
- The horizontal locator is easy to install.
- The protection level is IP66/IK08.
- Snap mounting, tool free disassembly.
- Toughened glass panel, fixed without glue.

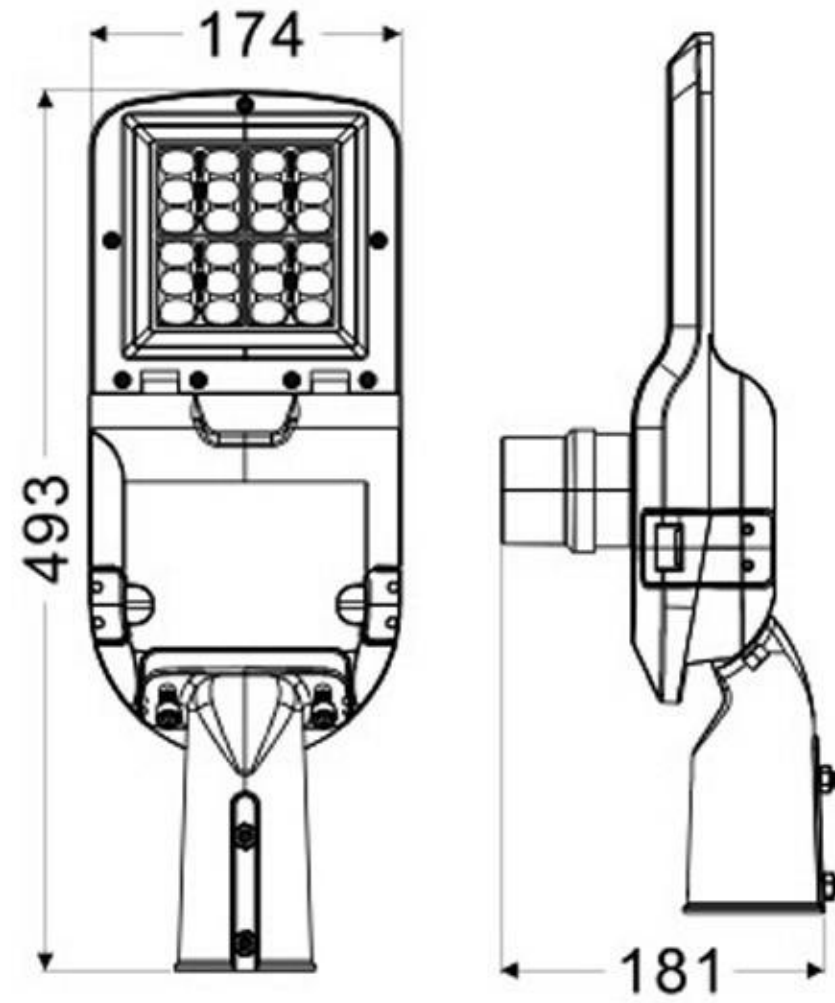
Dimension



30-60w

Unit : mm

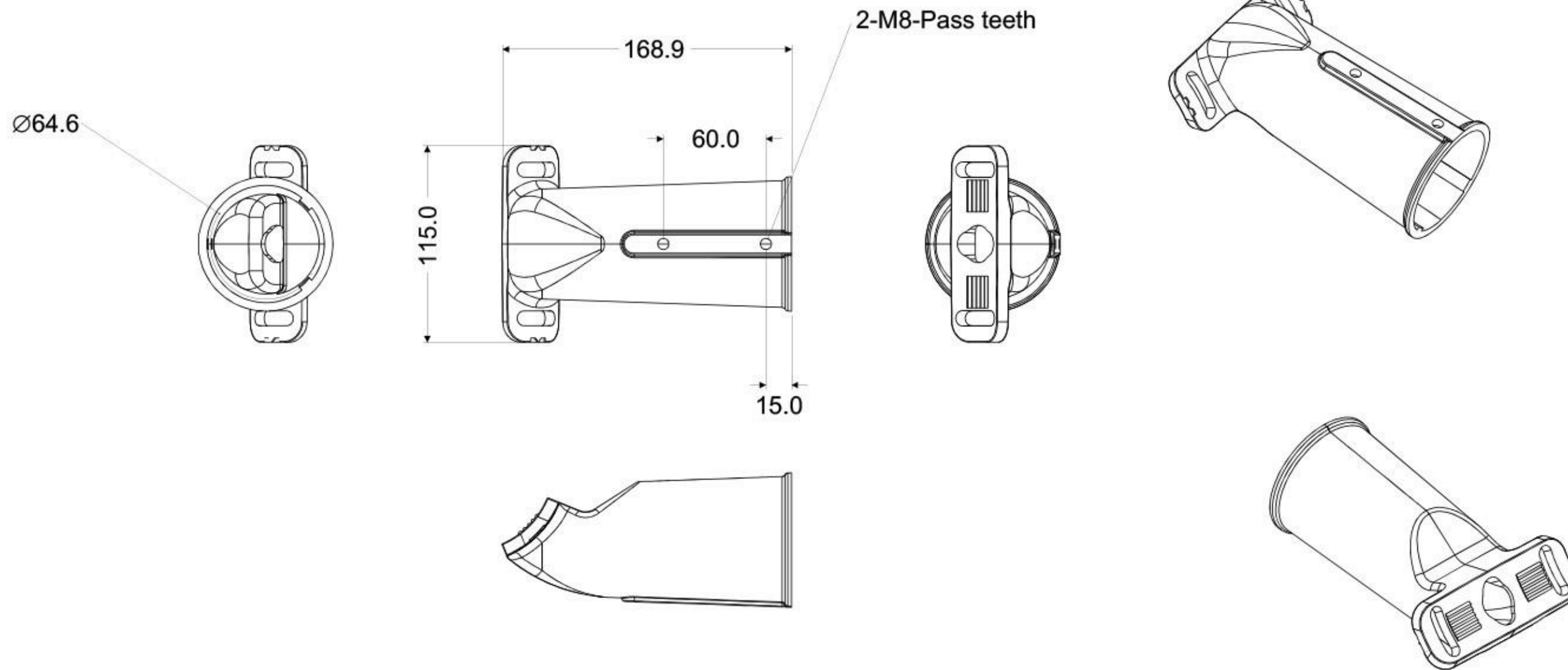
Dimension (Intelligent control)



30-60w

Unit : mm

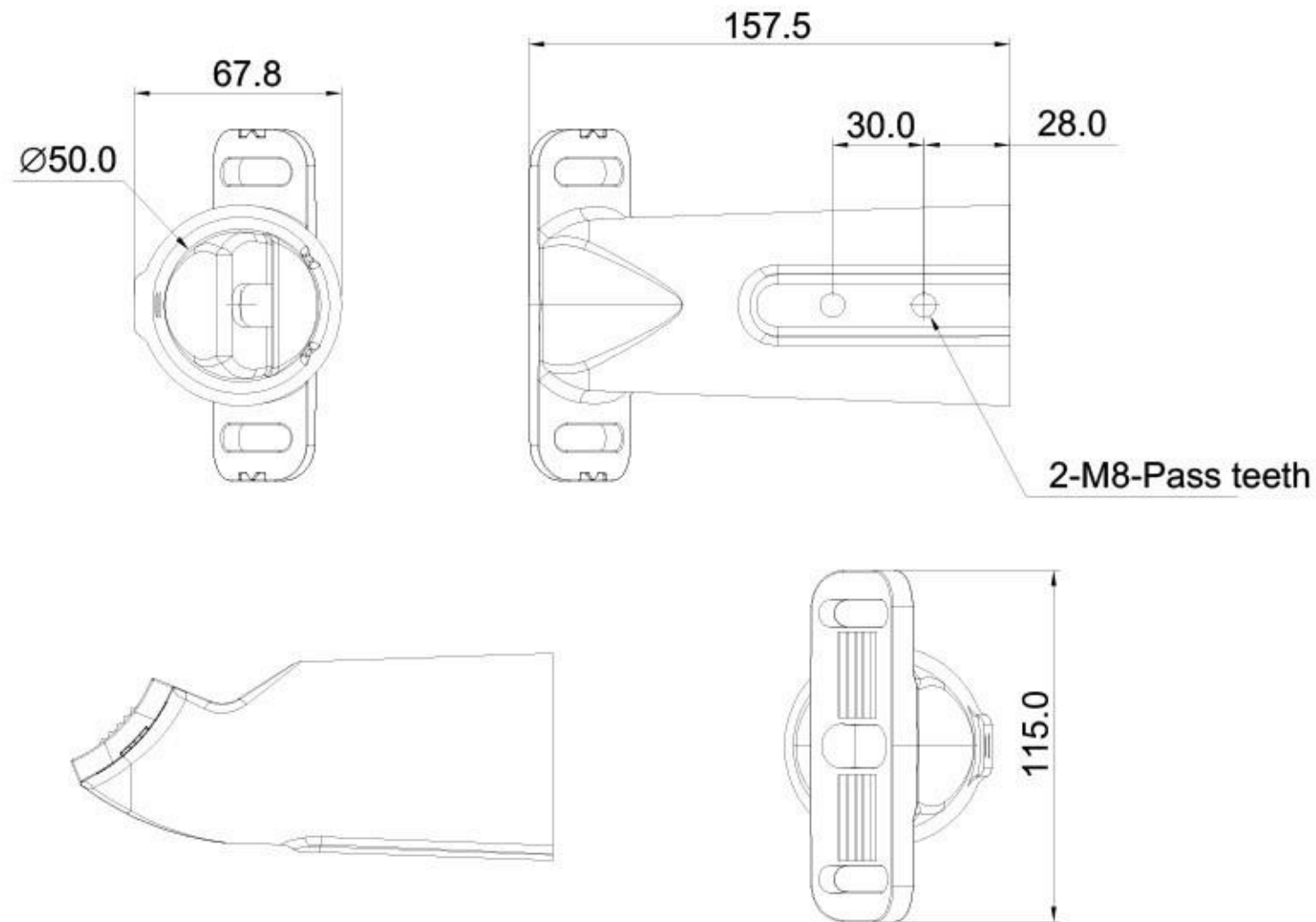
Install the shaft



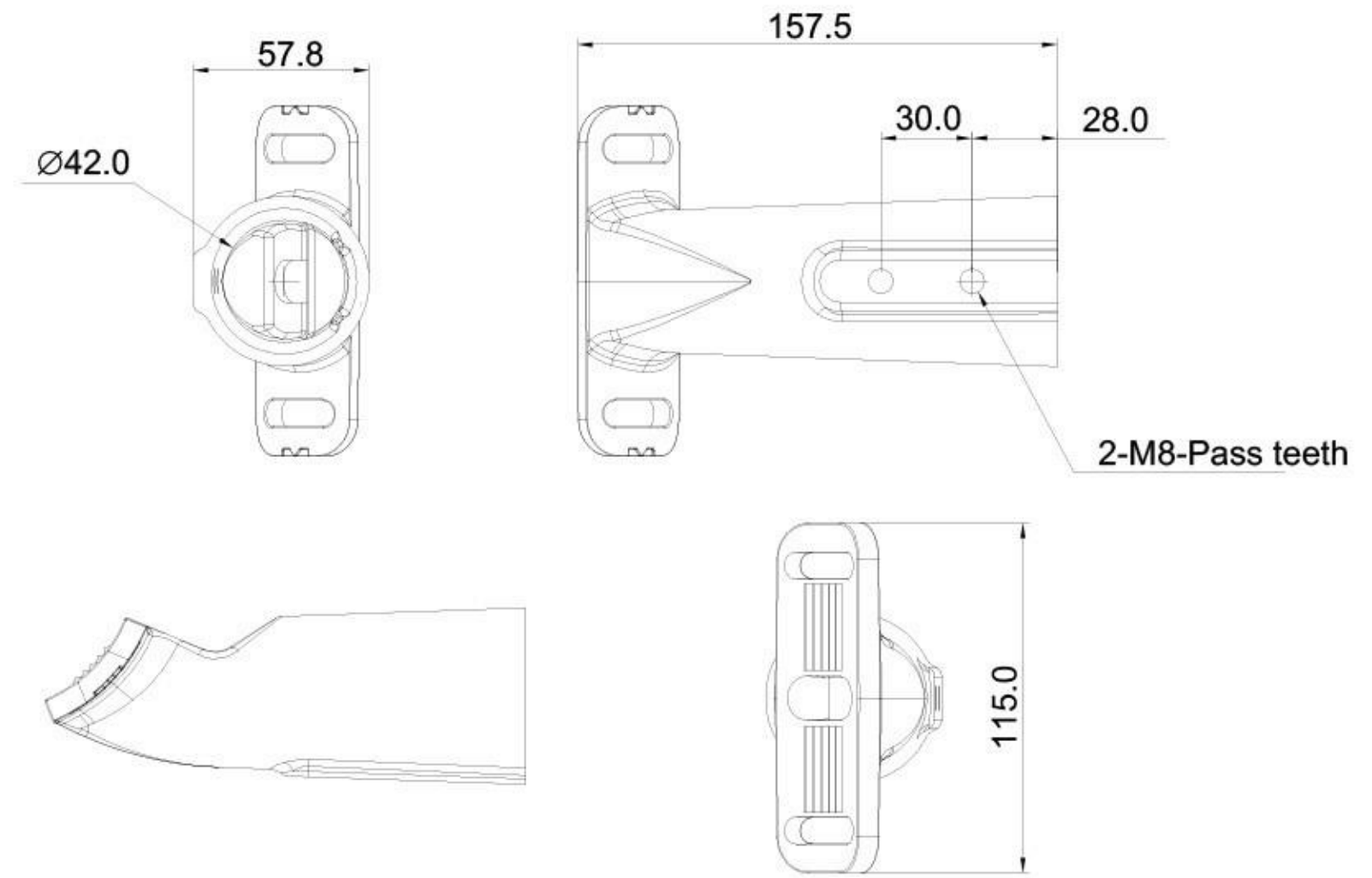
60mm Mounting holes

Unit : mm

Install the shaft



50mm Mounting holes

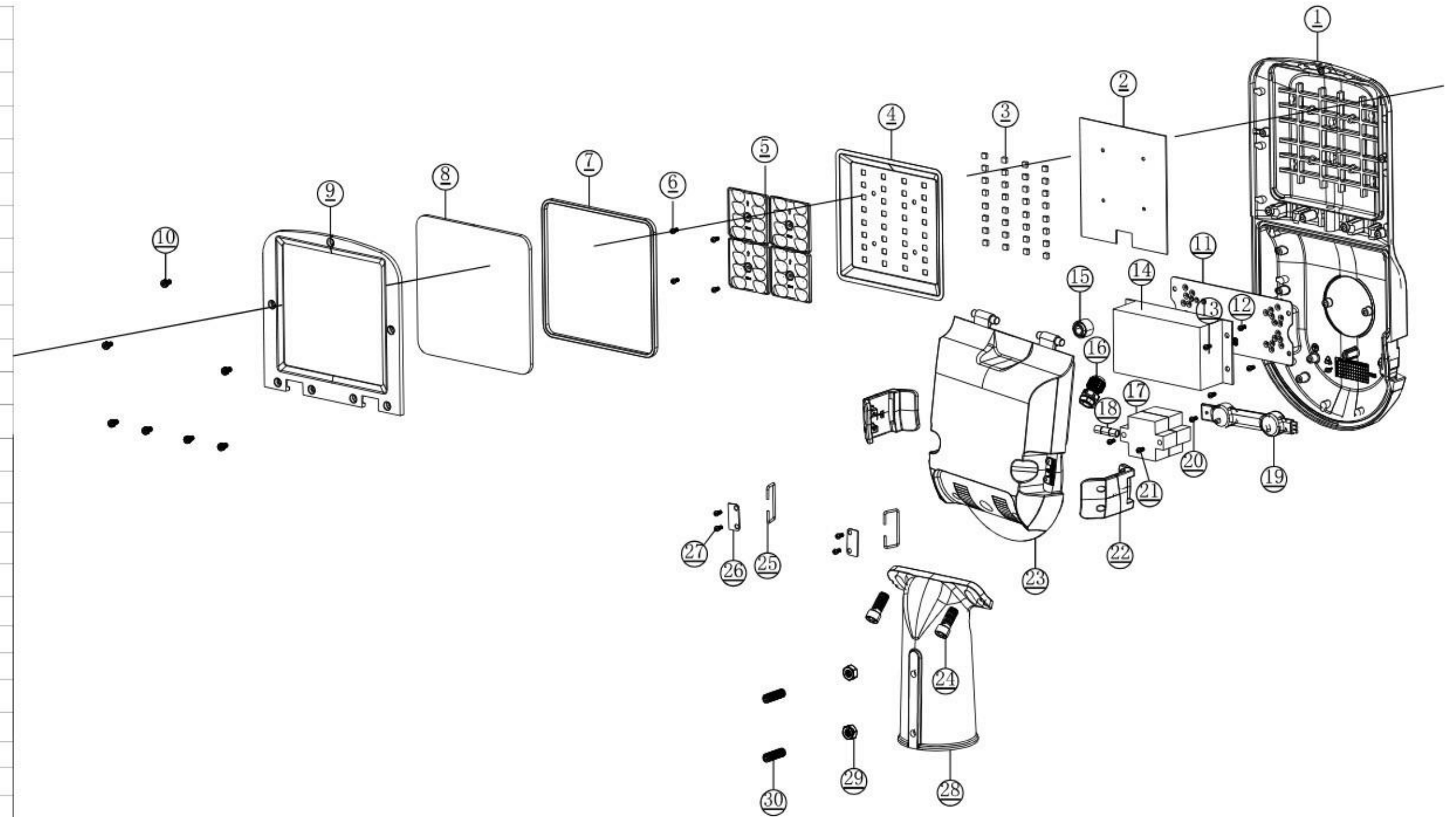


42mm Mounting holes

Unit : mm

Bill of materials

30	8*25 screw	2
29	M8nut	2
28	pivot	1
27	M4*6(Latch)	4
26	flaking	2
25	spring	2
24	M6*12 (Lock adapter)	2
23	Power supply cover	1
22	clasp	2
21	M4*8 (lockout switch)	2
20	M3*6 (lock arrester)	1
19	Lightning arrester	1
18	level}	1
17	Power off switch	1
16	Pg9	1
15	respirator	1
14	Power source}	1
13	M4*8 (lock power supply)	4
12	M4*8 (lock power plate)	4
11	Power supply fixing plate	1
10	M4*6 (lock ring)	7
9	Compression ring	1
8	glass	1
7	Rubber ring	1
6	M3*6 round head screws	4
5	lens	1
4	Reflective cup	1
3	Lamp bead}	32
2	Aluminum substrate	2
1	Main body	1
Serial number	specification	quantity



Application



Application

- Main road
- High way
- Flyover
- City street
- Overpass
- Sidewalk
- Square
- School
- Residential district
- Industrial area
- Park



Technical specification

A: Technical Parameter

Item No.		50W
Lamp Size		493*174*108mm
Voltage		AC100V-240V 50/60HZ
Power		30-60W
LED Type		EMC 5050/EMC3030
LED Quantity	EMC5050(With 6-in-1 lens)	24pcs
	EMC5050(With 8-in-1 lens)	32pcs
	EMC5050(With 10-in-1 lens)	40pcs
	EMC3030(With 16-in-1 lens)	64pcs
	EMC3030(With 24-in-1 lens)	96pcs
Luminous Flux	EMC5050(With 6-in-1 lens)	4800-9600LM
	EMC5050(With 8-in-1 lens)	5400-10800LM
	EMC5050(With 10-in-1 lens)	6000-12000LM
	EMC3030(With 16-in-1 lens)	4200-8400LM
	EMC3030(With 24-in-1 lens)	4800-9600LM
Color Temperature	Warm white	3000-4000K
	Neutral white	4000-5000K
	Cool white	5000-6000K
Beam Angle	6-in-1 lens	T2S/T2M/T3M
	8-in-1 lens	T2S/T2M/T3M
	10-in-1 lens	T2S/T2M/T3M
	16-in-1 lens	T2S/T2M/T3M
	24-in-1 lens	T2S/T2M/T3M
Color Rendering Index(CRI)		Ra>70
Power Supply Efficiency		>90%
LED Luminous Efficiency	EMC5050(With 6-in-1 lens)	160lm/w
	EMC5050(With 8-in-1 lens)	180lm/w
	EMC5050(With 10-in-1 lens)	200lm/w
	EMC3030(With 16-in-1 lens)	140lm/w
	EMC3030(With 24-in-1 lens)	160lm/w
Power Factor(PF)		>0.95
Total Harmonic Distortion(THD)		≤15%
IP Rank		IP66/IK08
Net Weight		2.67KG

Technical specification

A: Technical Parameter(Intelligent control)

Item No.		50W
Lamp Size		493*174*181mm
Voltage		AC100V-240V 50/60HZ
Power		30-60W
LED Type		EMC 5050/EMC3030
LED Quantity	EMC5050(With 6-in-1 lens)	24pcs
	EMC5050(With 8-in-1 lens)	32pcs
	EMC5050(With 10-in-1 lens)	40pcs
	EMC3030(With 16-in-1 lens)	64pcs
	EMC3030(With 24-in-1 lens)	96pcs
Luminous Flux	EMC5050(With 6-in-1 lens)	4800-9600LM
	EMC5050(With 8-in-1 lens)	5400-10800LM
	EMC5050(With 10-in-1 lens)	6000-12000LM
	EMC3030(With 16-in-1 lens)	4200-8400LM
	EMC3030(With 24-in-1 lens)	4800-9600LM
Color Temperature	Warm white	3000-4000K
	Neutral white	4000-5000K
	Cool white	5000-6000K
Beam Angle	6-in-1 lens	T2S/T2M/T3M
	8-in-1 lens	T2S/T2M/T3M
	10-in-1 lens	T2S/T2M/T3M
	16-in-1 lens	T2S/T2M/T3M
	24-in-1 lens	T2S/T2M/T3M
Color Rendering Index(CRI)		Ra>70
Power Supply Efficiency		>90%
LED Luminous Efficiency	EMC5050(With 6-in-1 lens)	160lm/w
	EMC5050(With 8-in-1 lens)	180lm/w
	EMC5050(With 10-in-1 lens)	200lm/w
	EMC3030(With 16-in-1 lens)	140lm/w
	EMC3030(With 24-in-1 lens)	160lm/w
Power Factor(PF)		>0.95
Total Harmonic Distortion(THD)		≤15%
IP Rank		IP66/IK08
Net Weight		2.67KG

Technical Specification

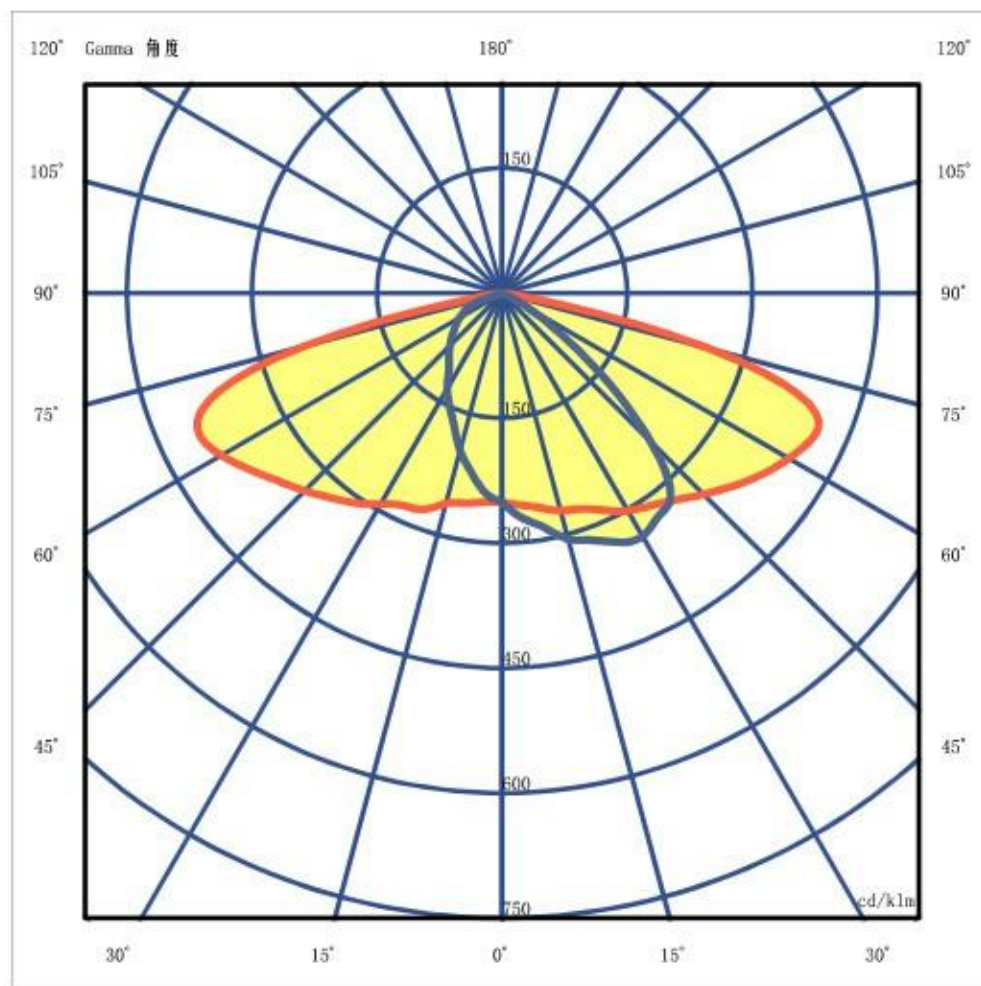
B: Mechanical Specifications

LED Driver	Meanwell/Moso/Sosen/Inventronics
Housing Processing	Die-casting
Material	ADC12

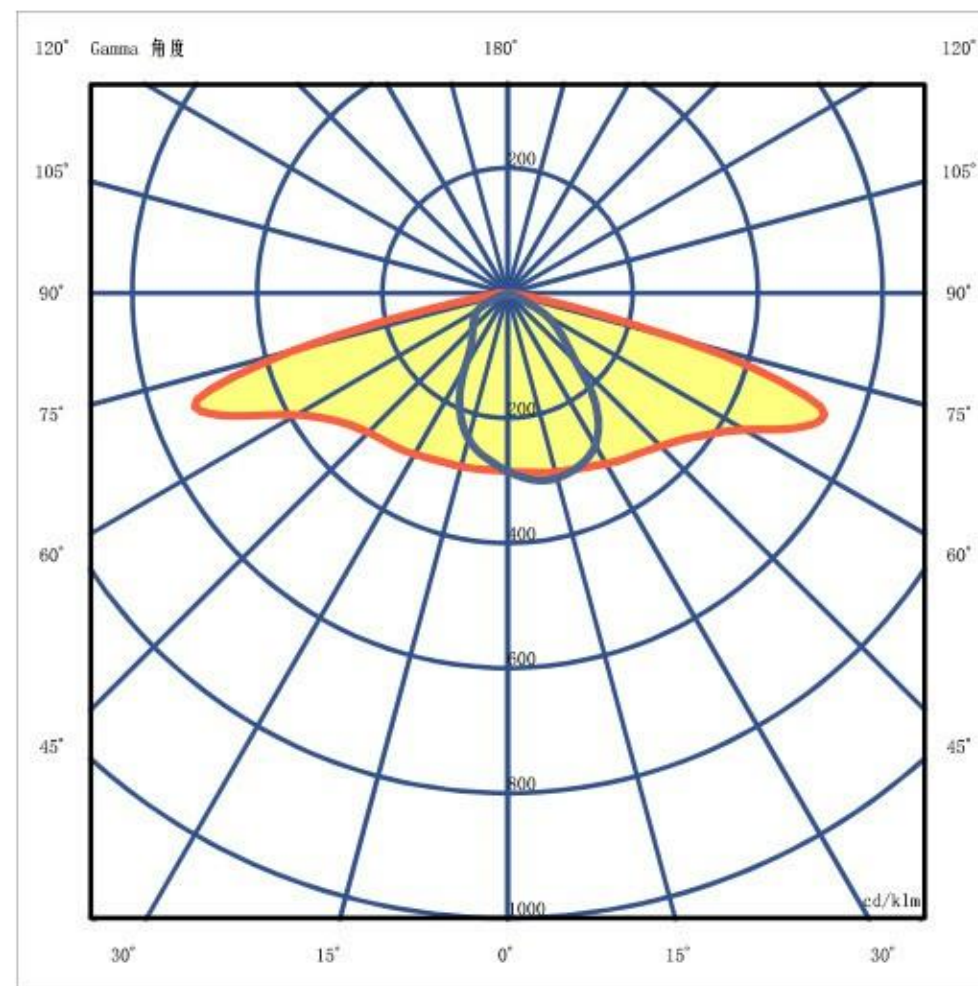
C: Environmental Temperaturt

Temperature Operating Range	-40°C ~ 50°C
Humidity Operating Range	20% ~ 95%
Storage Temperature Range	-40°C ~ 75°C
Storage Humidity Range	10% ~ 80%

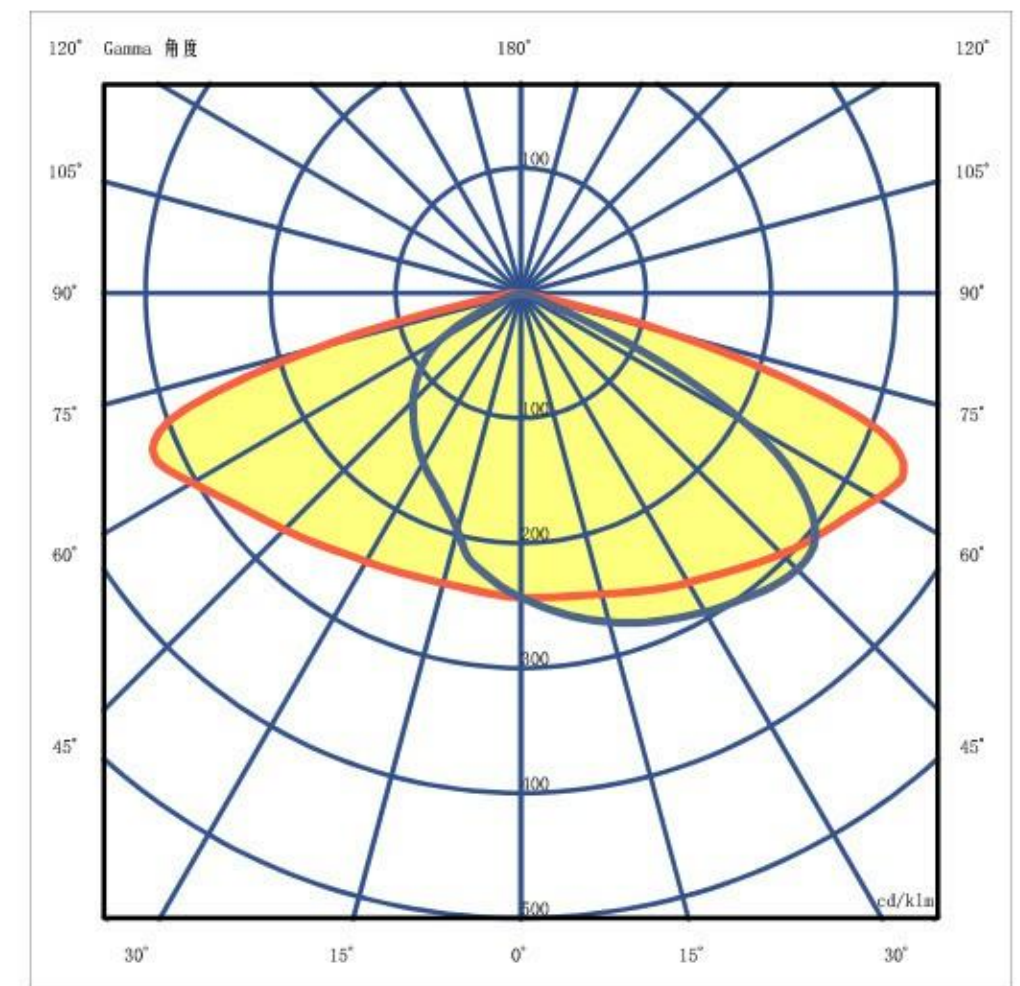
LUMINOUS INTENSITY DISTRIBUTIO



T2S light
distribution curve



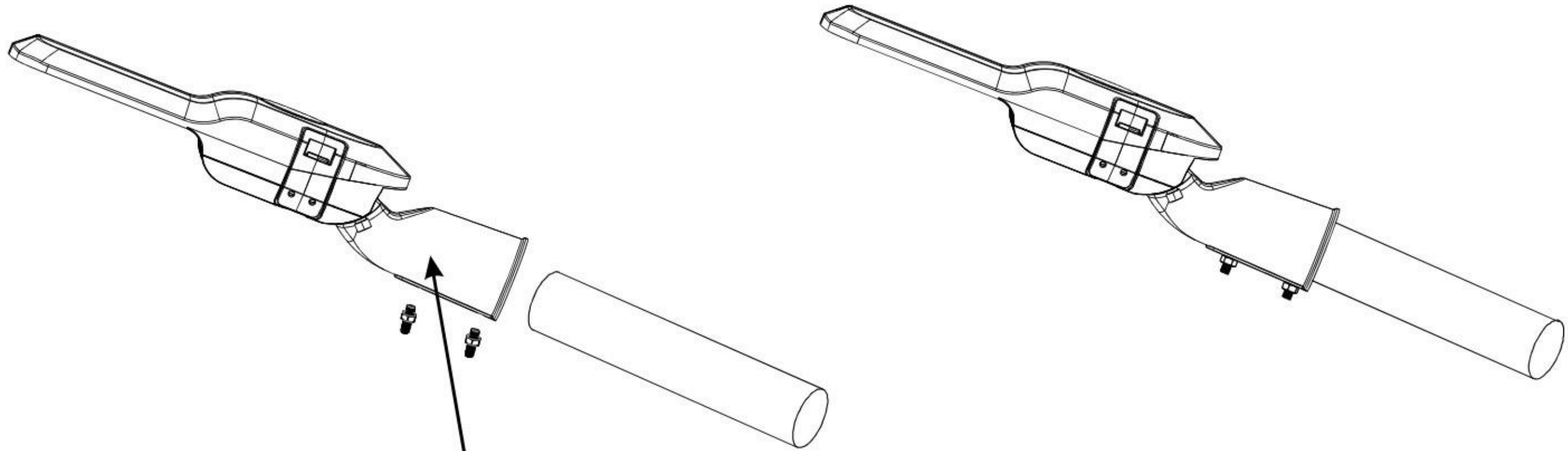
T2M light
distribution curve



T3M light
distribution curve

Product Installation Drawing

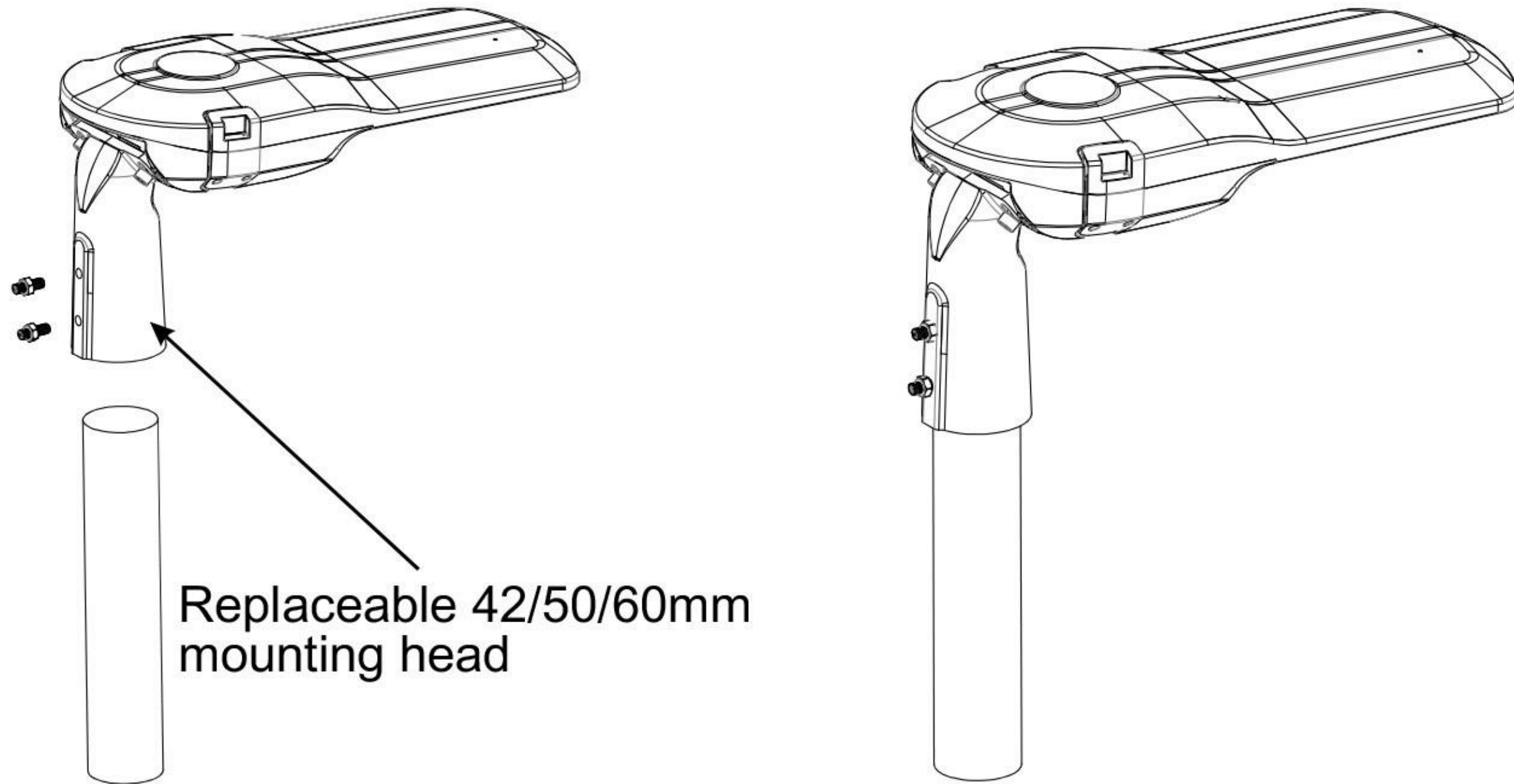
Installation hole size:60mm



Replaceable 42/50/60mm mounting head

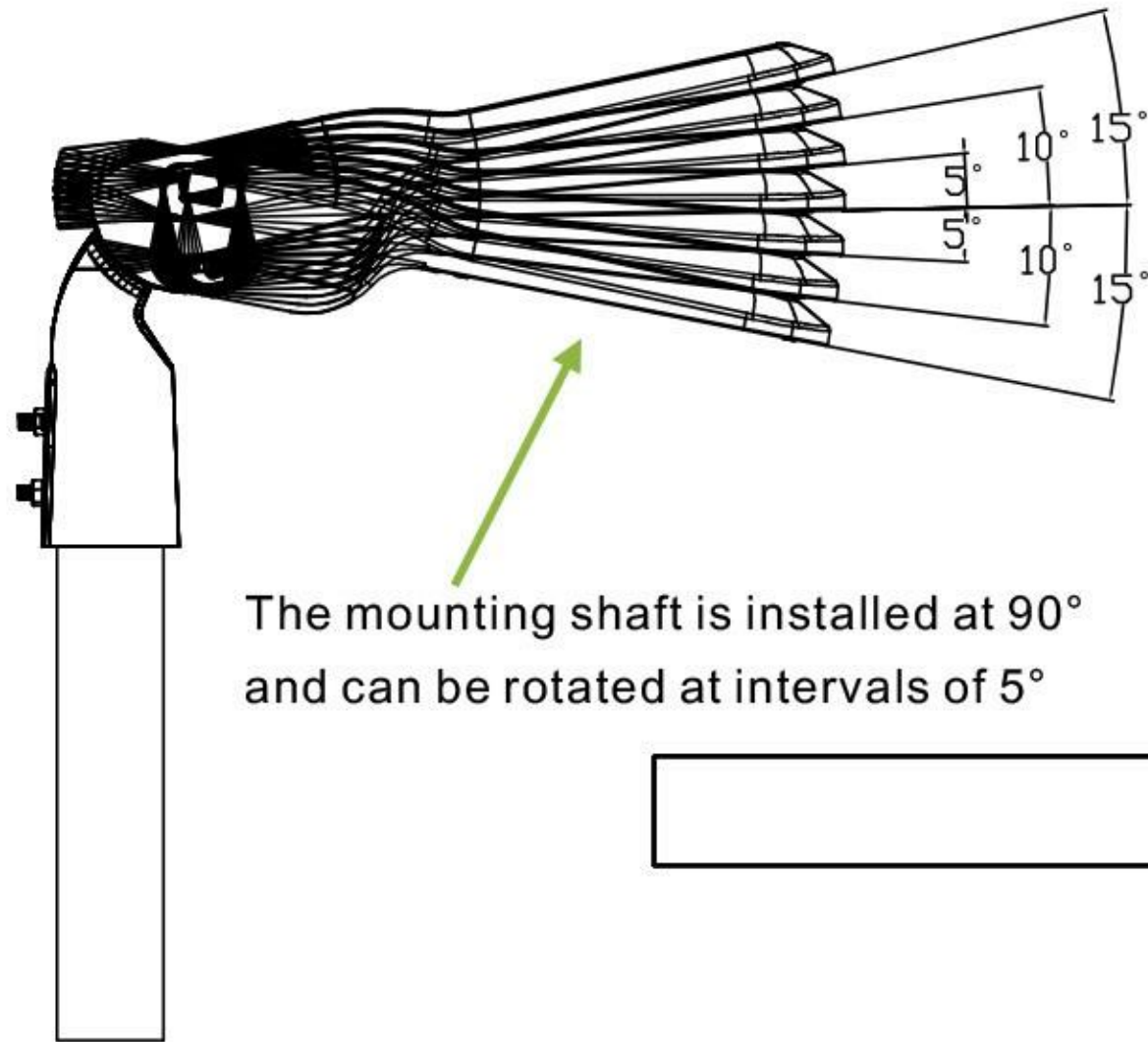
Product Installation Drawing

Installation hole size:60mm

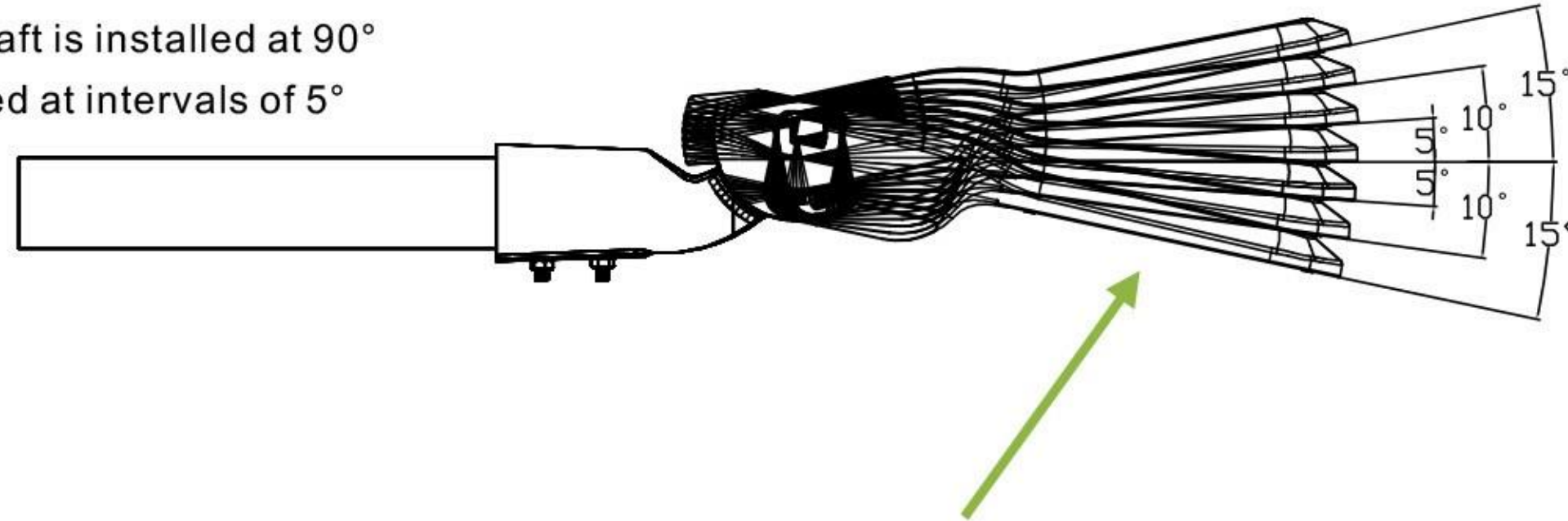


Product Installation Drawing

Installation Angle can be adjusted



The mounting shaft is installed at 90° and can be rotated at intervals of 5°



The mounting shaft is installed at 90° and can be rotated at intervals of 5°

Attention

1. Please do not disassemble the lamp without permission, or it will be deemed to have waived the warranty service.
2. Please read the manual carefully before installation.
3. Please check everything carefully before use. If any abnormalities occurred during use, please contact us immediately.
4. Please make sure the power is turned off before installation.
5. Please turn to professional electrician if any failure.