

LED

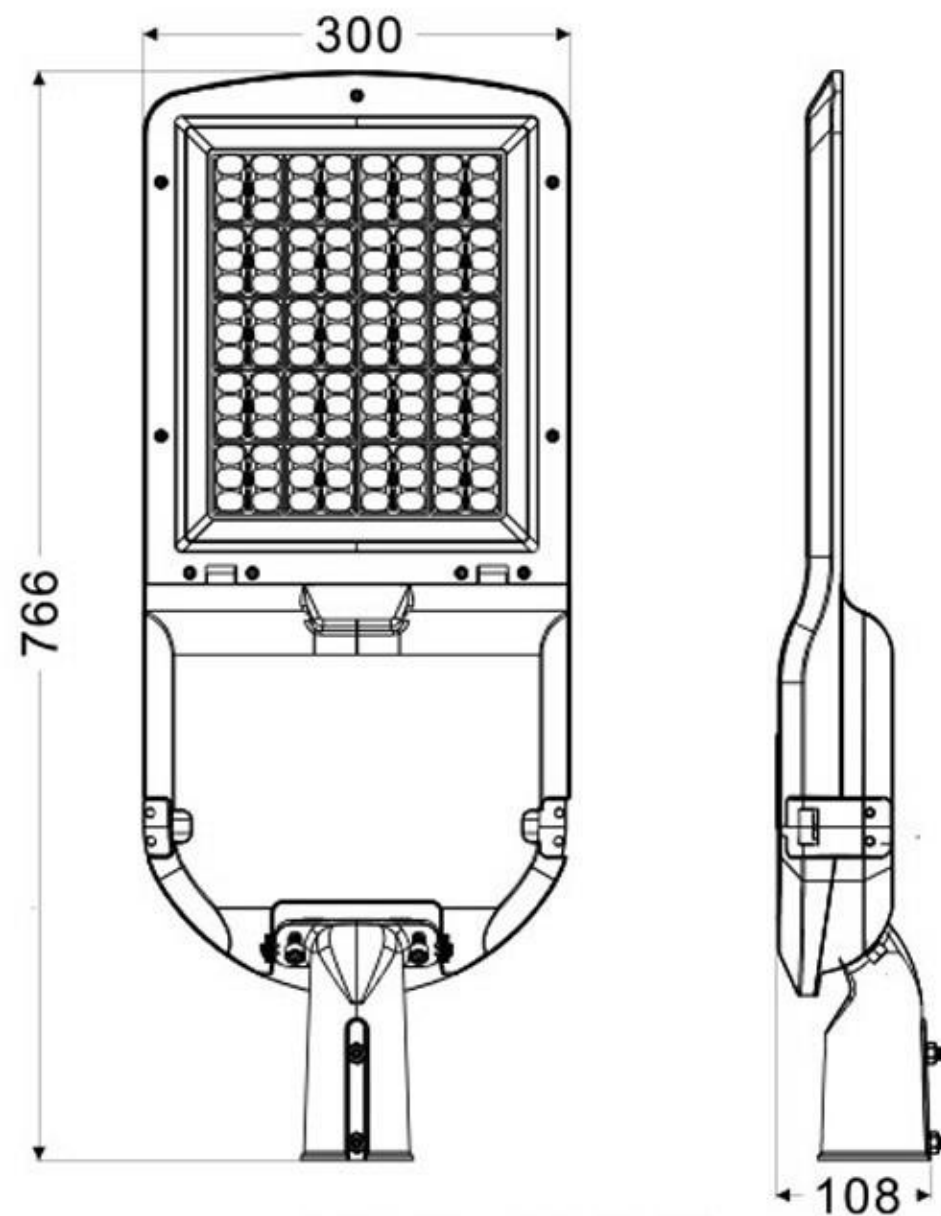


Color



- Patent private mould, integrated die-casting AL.
- High efficiency, 200lm/w available.
- Professional anti-glare lens : PC full cutoff lens T2S/T2M/T3M.
- 0/1-10V dimming, time control, light sensing, iot control and other functions are optional.
- The horizontal locator is easy to install.
- The protection level is IP66/IK08.
- Snap mounting, tool free disassembly.
- Toughened glass panel, fixed without glue.

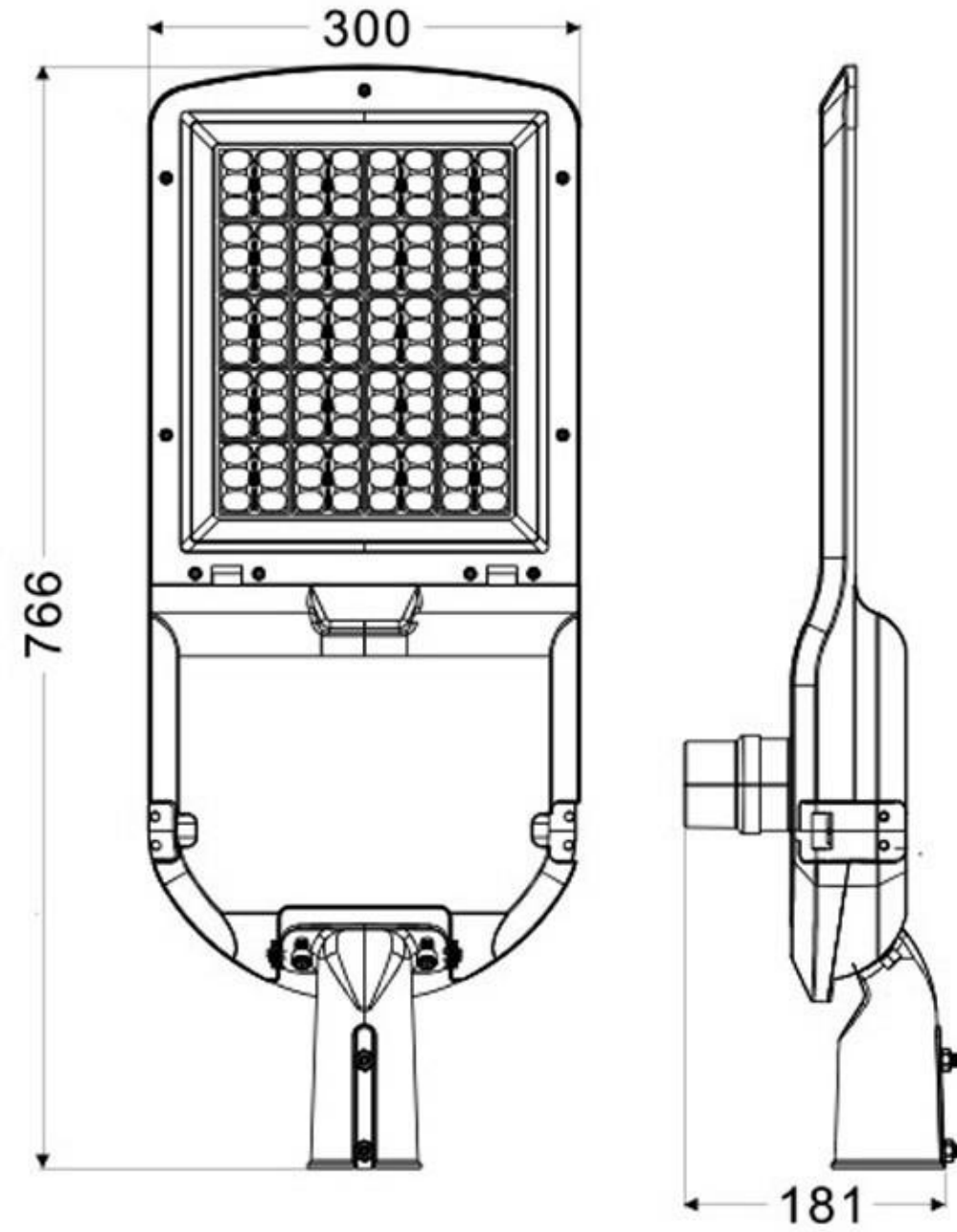
Dimension



190-280w

Unit : mm

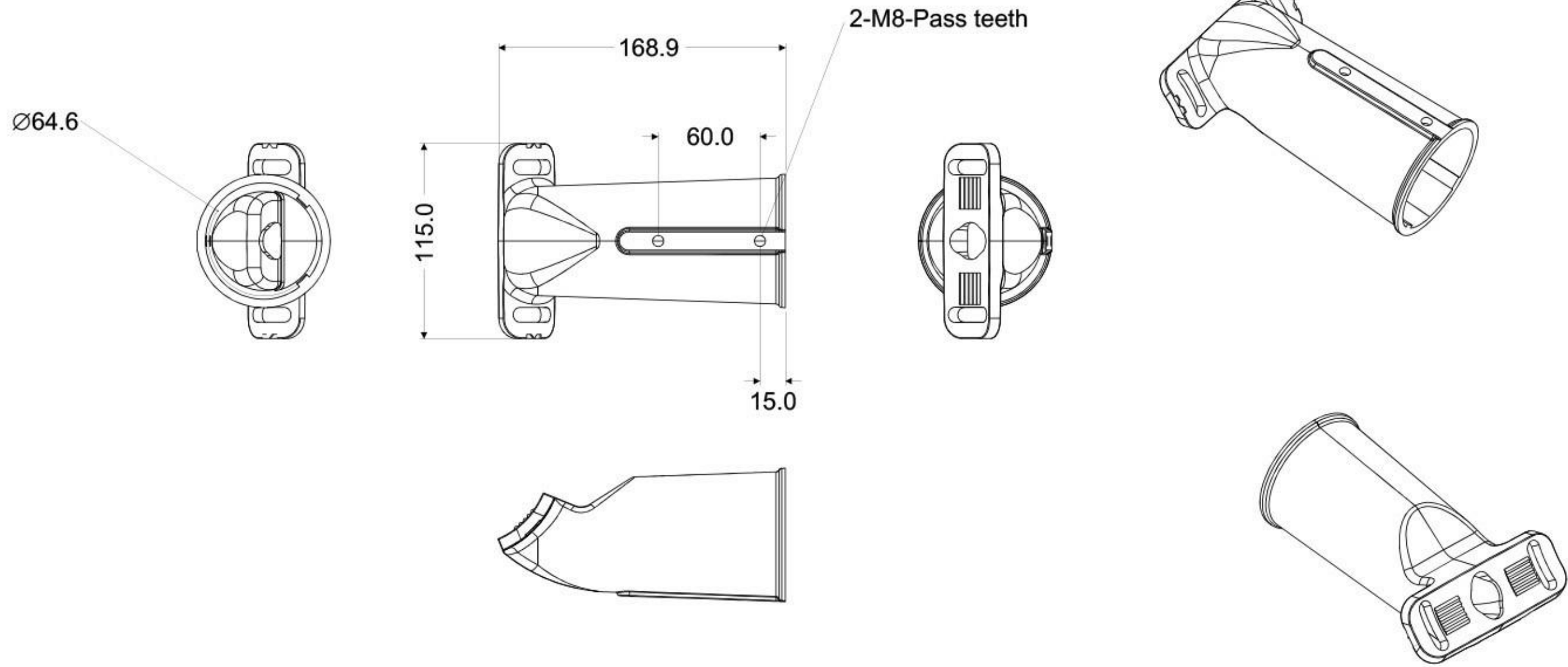
Dimension (Intelligent control)



190-280w

Unit : mm

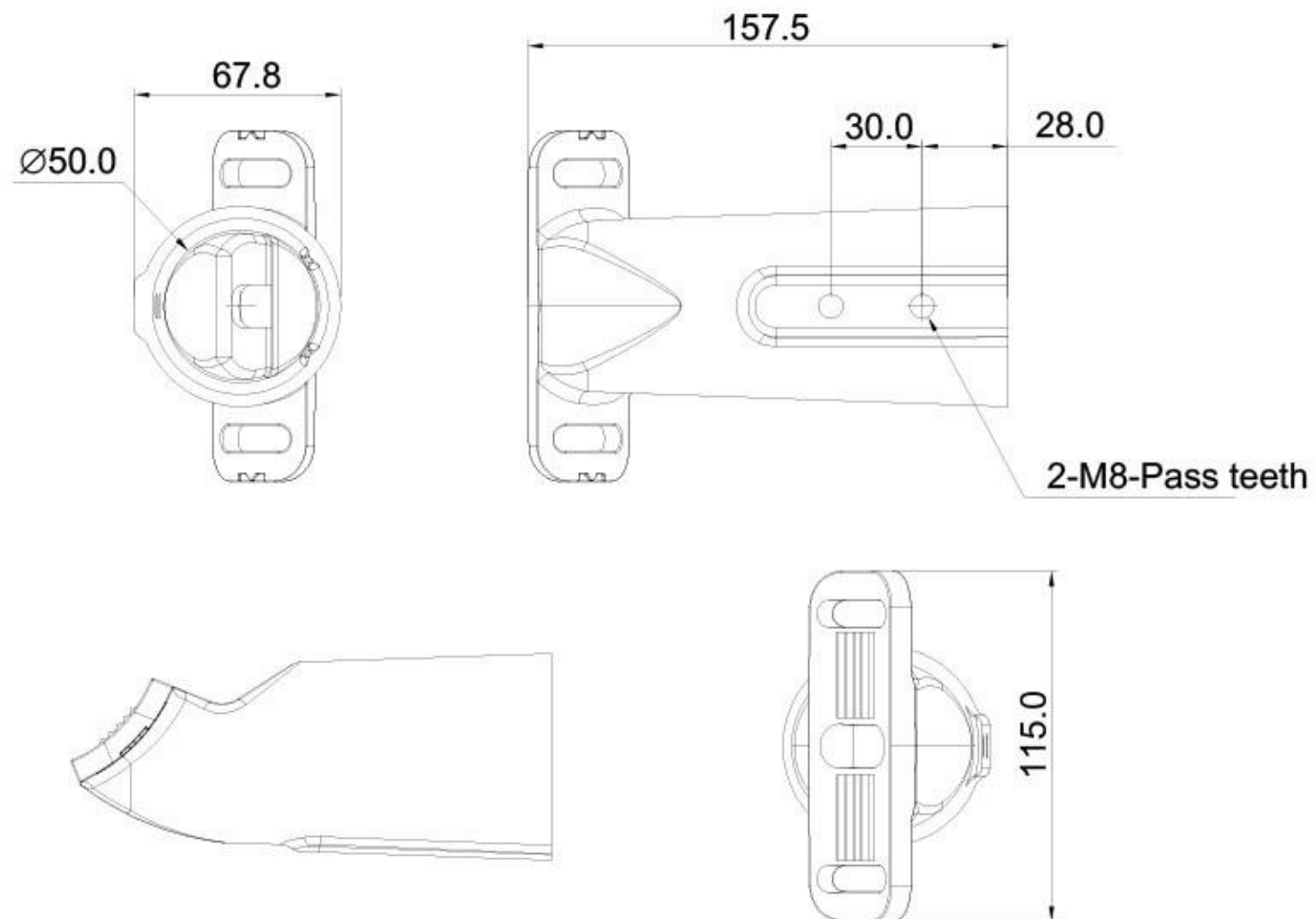
Install the shaft



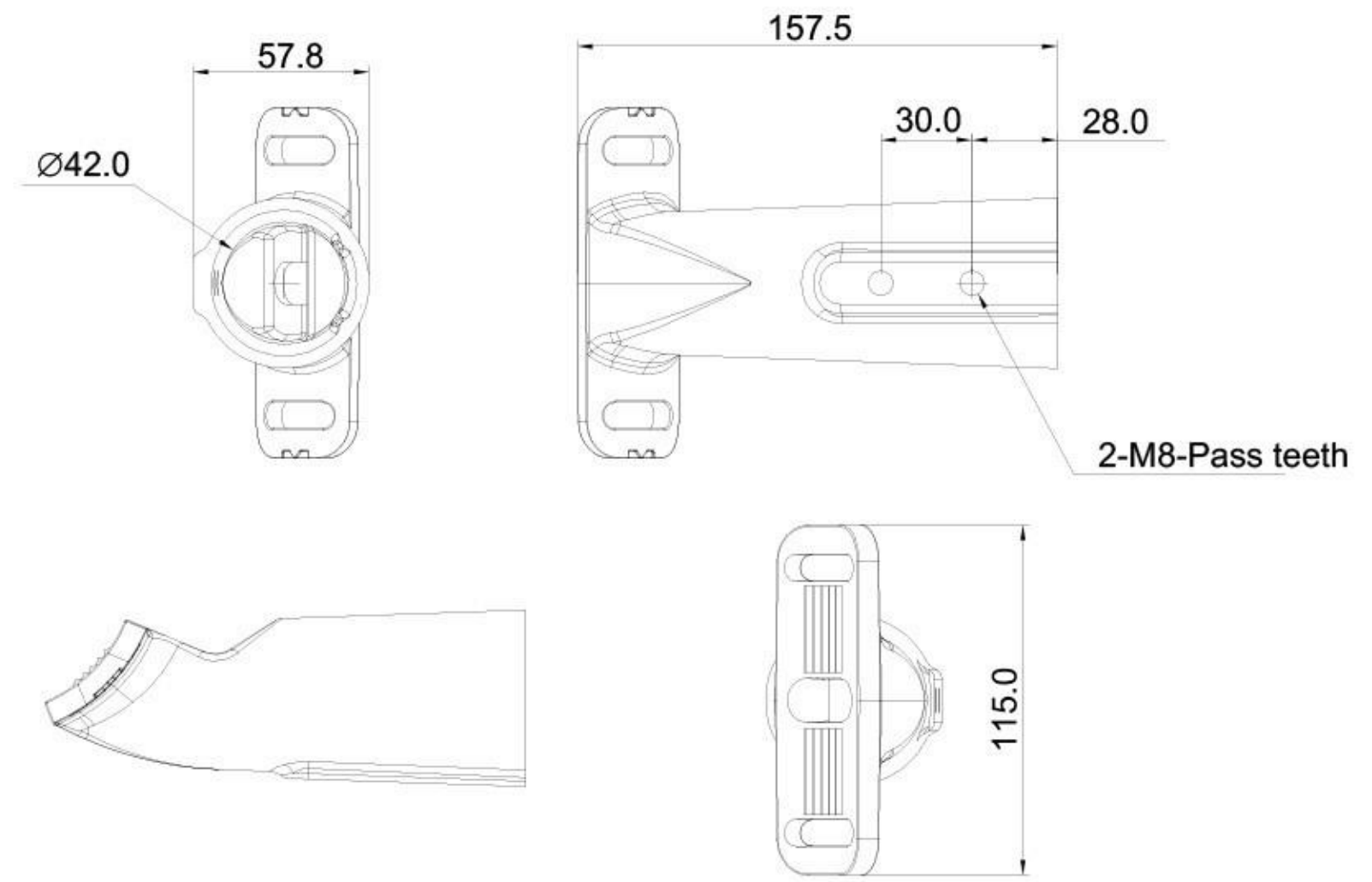
60mm Mounting holes

Unit : mm

Install the shaft



50mm Mounting holes

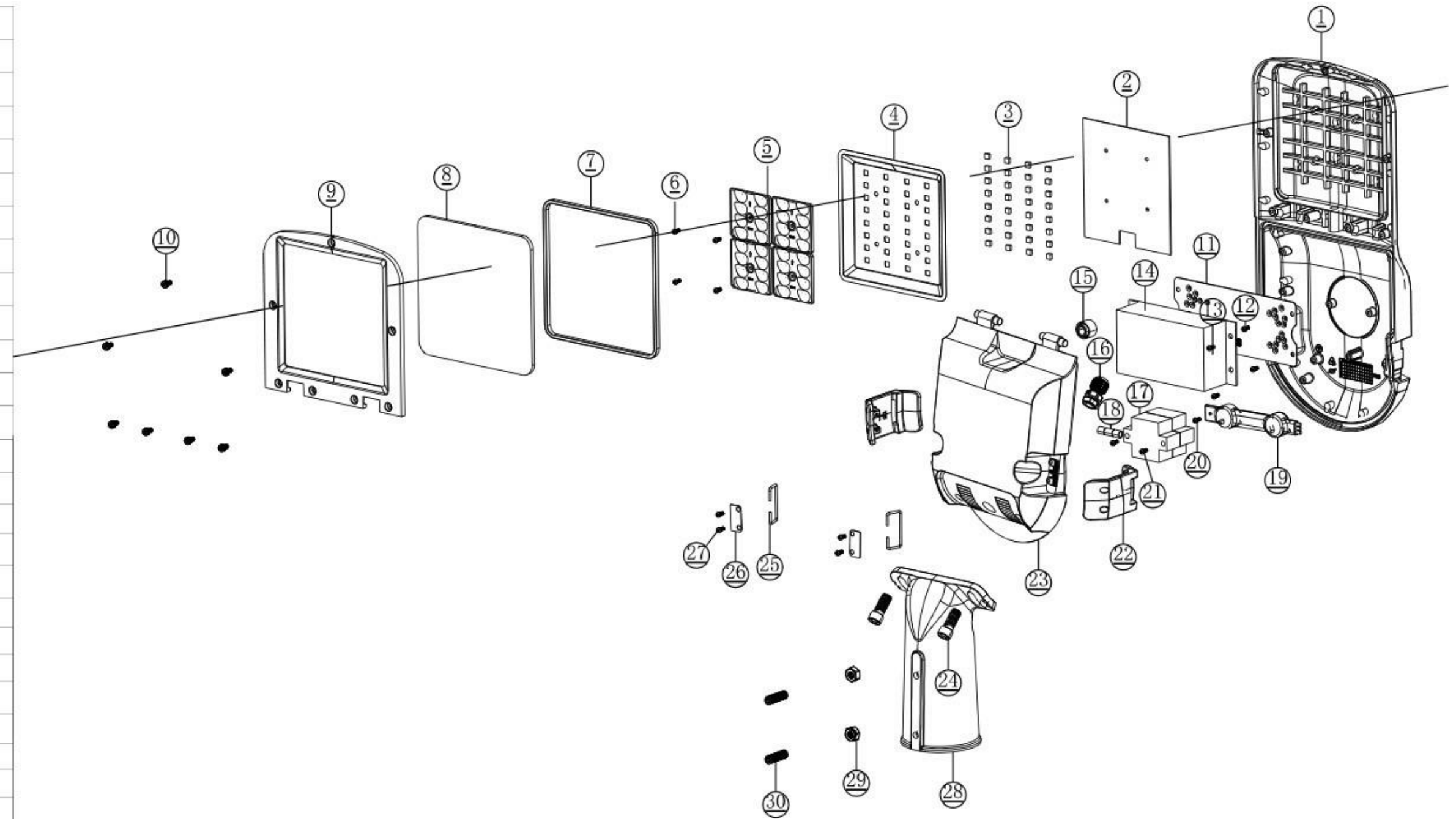


42mm Mounting holes

Unit : mm

Bill of materials

| | | |
|---------------|---------------------------|----------|
| 30 | 8*25 screw | 2 |
| 29 | M8nut | 2 |
| 28 | pivot | 1 |
| 27 | M4*6(Latch) | 4 |
| 26 | flaking | 2 |
| 25 | spring | 2 |
| 24 | M6*12 (Lock adapter) | 2 |
| 23 | Power supply cover | 1 |
| 22 | clasp | 2 |
| 21 | M4*8 (lockout switch) | 2 |
| 20 | M3*6 (lock arrester) | 1 |
| 19 | Lightning arrester | 1 |
| 18 | level} | 1 |
| 17 | Power off switch | 1 |
| 16 | Pg9 | 1 |
| 15 | respirator | 1 |
| 14 | Power source} | 1 |
| 13 | M4*8 (lock power supply) | 4 |
| 12 | M4*8 (lock power plate) | 4 |
| 11 | Power supply fixing plate | 1 |
| 10 | M4*6 (lock ring) | 7 |
| 9 | Compression ring | 1 |
| 8 | glass | 1 |
| 7 | Rubber ring | 1 |
| 6 | M3*6 round head screws | 4 |
| 5 | lens | 1 |
| 4 | Reflective cup | 1 |
| 3 | Lamp bead} | 32 |
| 2 | Aluminum substrate | 2 |
| 1 | Main body | 1 |
| Serial number | specification | quantity |



Application



Application

- Main road
- High way
- Flyover
- City street
- Overpass
- Sidewalk
- Square
- School
- Residential district
- Industrial area
- Park



Technical specification

A:Technical Parameter

| Item No. | 200W | 250W |
|--------------------------------|----------------------------|---------------|
| Lamp Size | 766*300*108mm | |
| Voltage | AC100V-240V 50/60HZ | |
| Power | 190-280W | |
| LED Type | EMC 5050/EMC3030 | |
| LED Quantity | EMC5050(With 6-in-1 lens) | 120pcs |
| | EMC5050(With 8-in-1 lens) | 160pcs |
| | EMC5050(With 10-in-1 lens) | 200pcs |
| | EMC3030(With 16-in-1 lens) | 320pcs |
| | EMC3030(With 24-in-1 lens) | 480pcs |
| Luminous Flux | EMC5050(With 6-in-1 lens) | 30400-44800LM |
| | EMC5050(With 8-in-1 lens) | 34200-50400LM |
| | EMC5050(With 10-in-1 lens) | 38000-56000LM |
| | EMC3030(With 16-in-1 lens) | 26600-39200LM |
| | EMC3030(With 24-in-1 lens) | 30400-44800LM |
| Color Temperature | Warm white | 3000-4000K |
| | Neutral white | 4000-5000K |
| | Cool white | 5000-6000K |
| Beam Angle | 6-in-1 lens | T2S/T2M/T3M |
| | 8-in-1 lens | T2S/T2M/T3M |
| | 10-in-1 lens | T2S/T2M/T3M |
| | 16-in-1 lens | T2S/T2M/T3M |
| | 24-in-1 lens | T2S/T2M/T3M |
| Color Rendering Index(CRI) | Ra>70 | |
| Power Supply Efficiency | >90% | |
| LED Luminous Efficiency | EMC5050(With 6-in-1 lens) | 160lm/w |
| | EMC5050(With 8-in-1 lens) | 180lm/w |
| | EMC5050(With 10-in-1 lens) | 200lm/w |
| | EMC3030(With 16-in-1 lens) | 140lm/w |
| | EMC3030(With 24-in-1 lens) | 160lm/w |
| Power Factor(PF) | >0.95 | |
| Total Harmonic Distortion(THD) | ≤15% | |
| IP Rank | IP66/IK08 | |
| Net Weight | 6.36KG | |

Technical specification

A: Technical Parameter(Intelligent control)

| Item No. | 200W | 250W |
|--------------------------------|----------------------------|---------------|
| Lamp Size | 766*300*181mm | |
| Voltage | AC100V-240V 50/60HZ | |
| Power | 190-280W | |
| LED Type | EMC 5050/EMC3030 | |
| LED Quantity | EMC5050(With 6-in-1 lens) | 120pcs |
| | EMC5050(With 8-in-1 lens) | 160pcs |
| | EMC5050(With 10-in-1 lens) | 200pcs |
| | EMC3030(With 16-in-1 lens) | 320pcs |
| | EMC3030(With 24-in-1 lens) | 480pcs |
| Luminous Flux | EMC5050(With 6-in-1 lens) | 30400-44800LM |
| | EMC5050(With 8-in-1 lens) | 34200-50400LM |
| | EMC5050(With 10-in-1 lens) | 38000-56000LM |
| | EMC3030(With 16-in-1 lens) | 26600-39200LM |
| | EMC3030(With 24-in-1 lens) | 30400-44800LM |
| Color Temperature | Warm white | 3000-4000K |
| | Neutral white | 4000-5000K |
| | Cool white | 5000-6000K |
| Beam Angle | 6-in-1 lens | T2S/T2M/T3M |
| | 8-in-1 lens | T2S/T2M/T3M |
| | 10-in-1 lens | T2S/T2M/T3M |
| | 16-in-1 lens | T2S/T2M/T3M |
| | 24-in-1 lens | T2S/T2M/T3M |
| Color Rendering Index(CRI) | Ra>70 | |
| Power Supply Efficiency | >90% | |
| LED Luminous Efficiency | EMC5050(With 6-in-1 lens) | 160lm/w |
| | EMC5050(With 8-in-1 lens) | 180lm/w |
| | EMC5050(With 10-in-1 lens) | 200lm/w |
| | EMC3030(With 16-in-1 lens) | 140lm/w |
| | EMC3030(With 24-in-1 lens) | 160lm/w |
| Power Factor(PF) | >0.95 | |
| Total Harmonic Distortion(THD) | ≤15% | |
| IP Rank | IP66/IK08 | |
| Net Weight | 6.36KG | |

Technical Specification

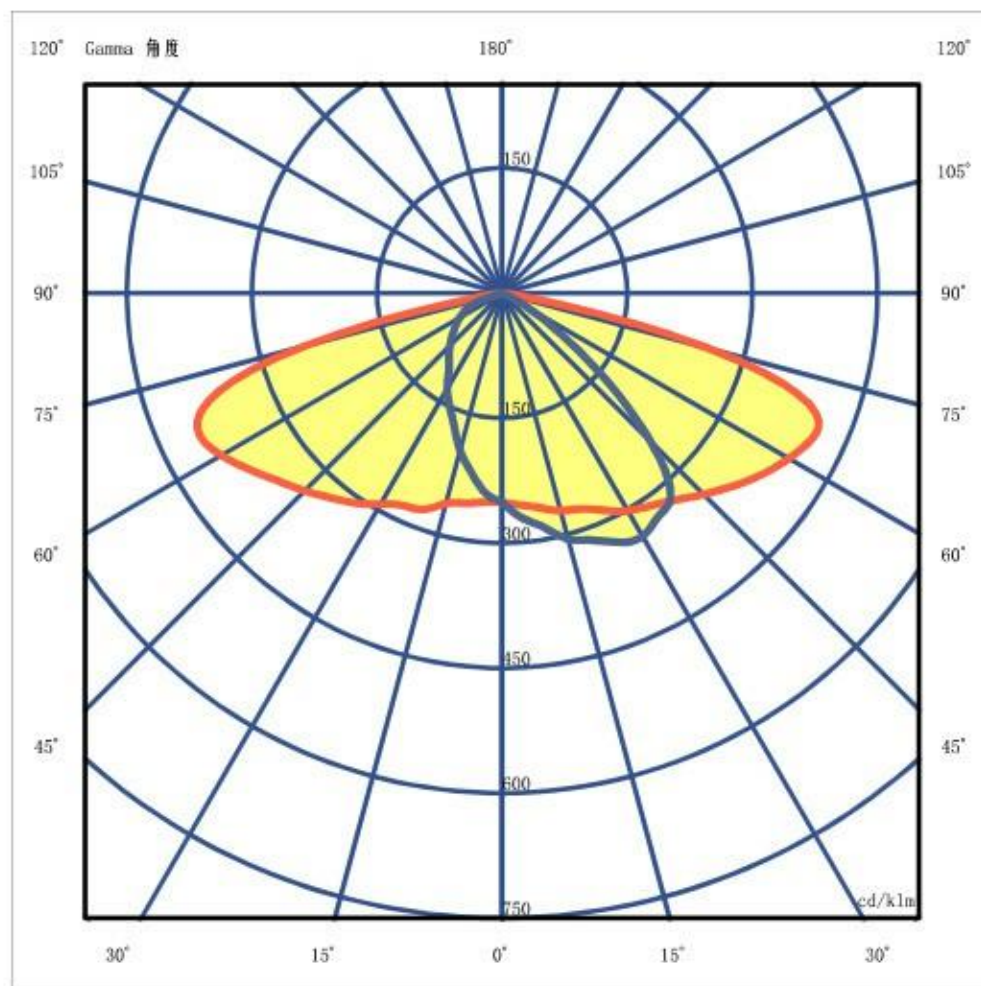
B: Mechanical Specifications

| | |
|--------------------|----------------------------------|
| LED Driver | Meanwell/Moso/Sosen/Inventronics |
| Housing Processing | Die-casting |
| Material | ADC12 |

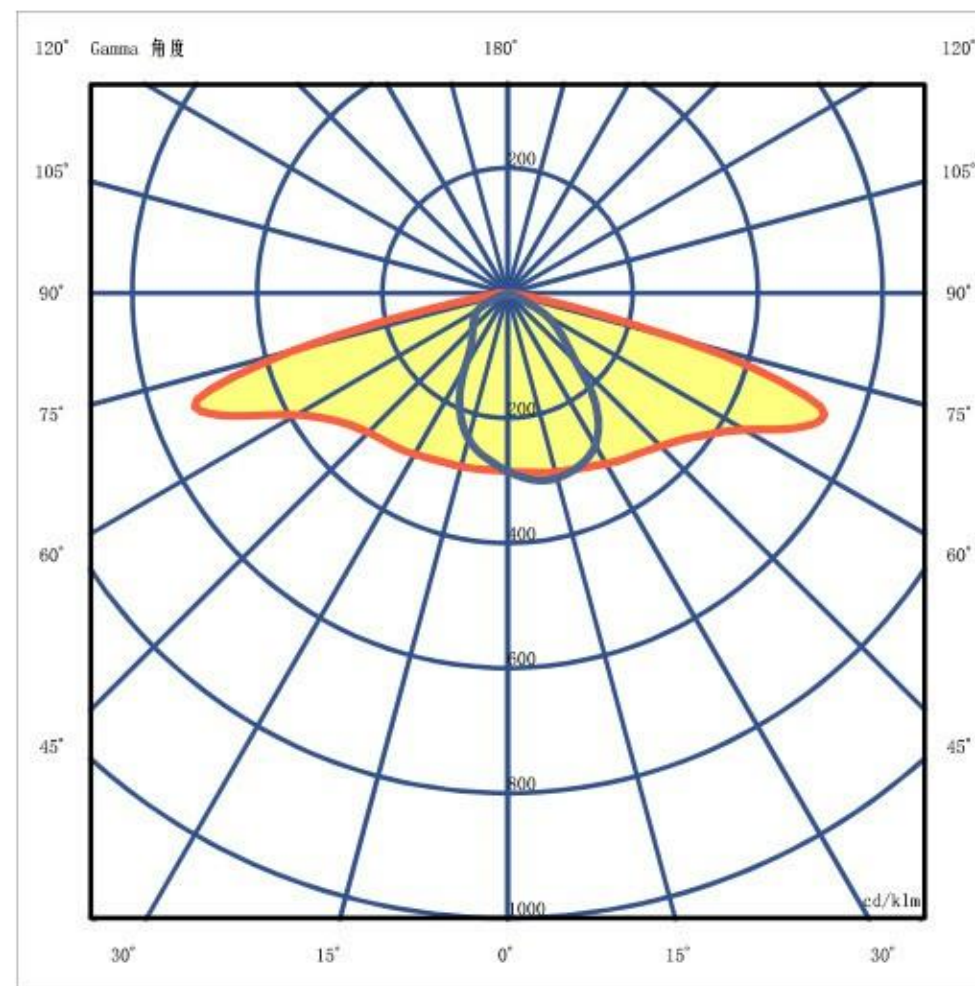
C: Environmental Temperaturt

| | |
|-----------------------------|--------------|
| Temperature Operating Range | -40°C ~ 50°C |
| Humidity Operating Range | 20% ~ 95% |
| Storage Temperature Range | -40°C ~ 75°C |
| Storage Humidity Range | 10% ~ 80% |

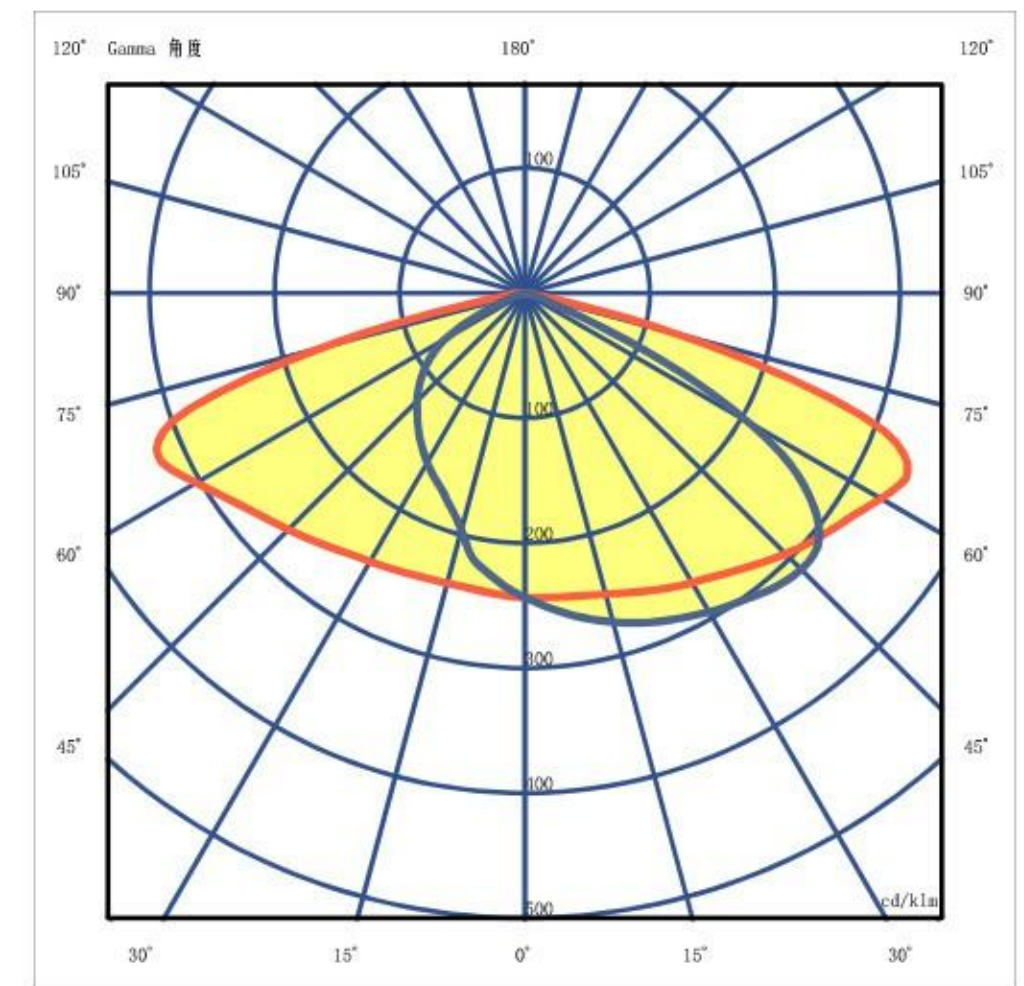
LUMINOUS INTENSITY DISTRIBUTIO



T2S light
distribution curve



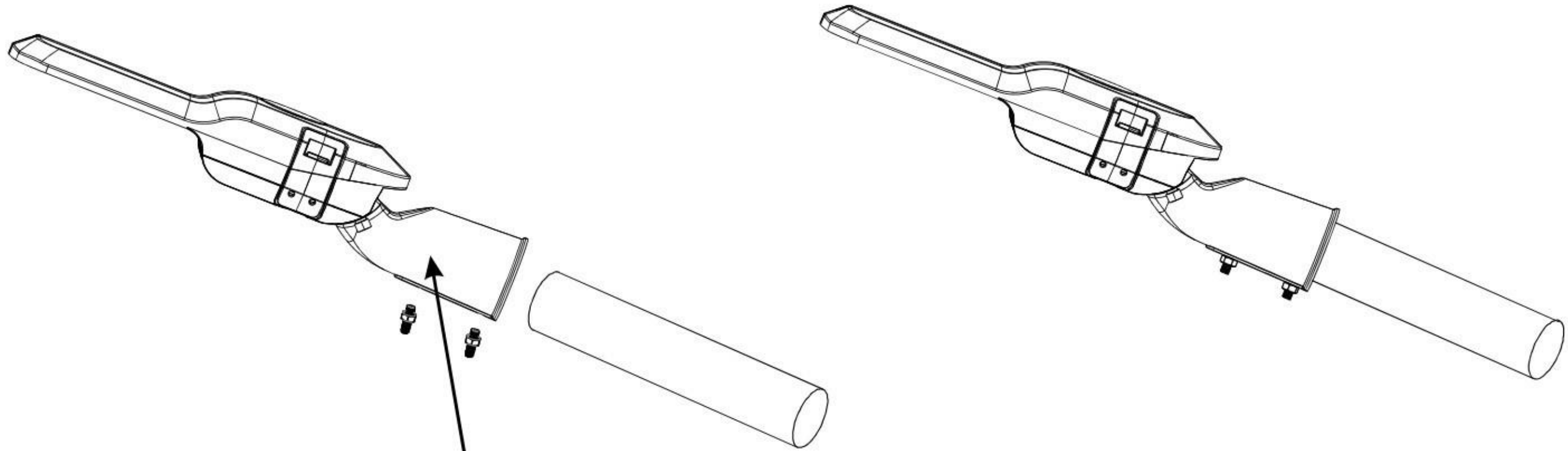
T2M light
distribution curve



T3M light
distribution curve

Product Installation Drawing

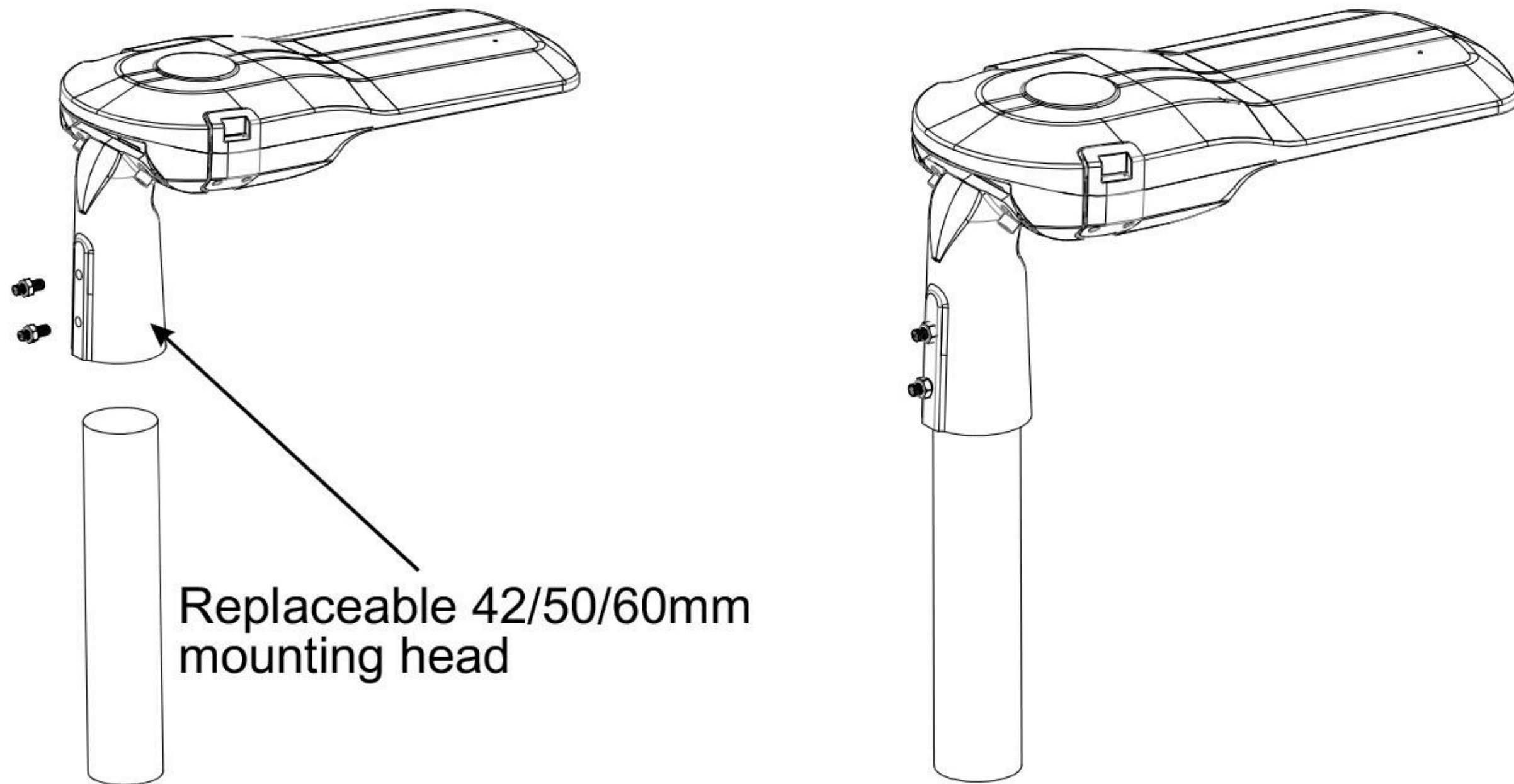
Installation hole size:60mm



Replaceable 42/50/60mm mounting head

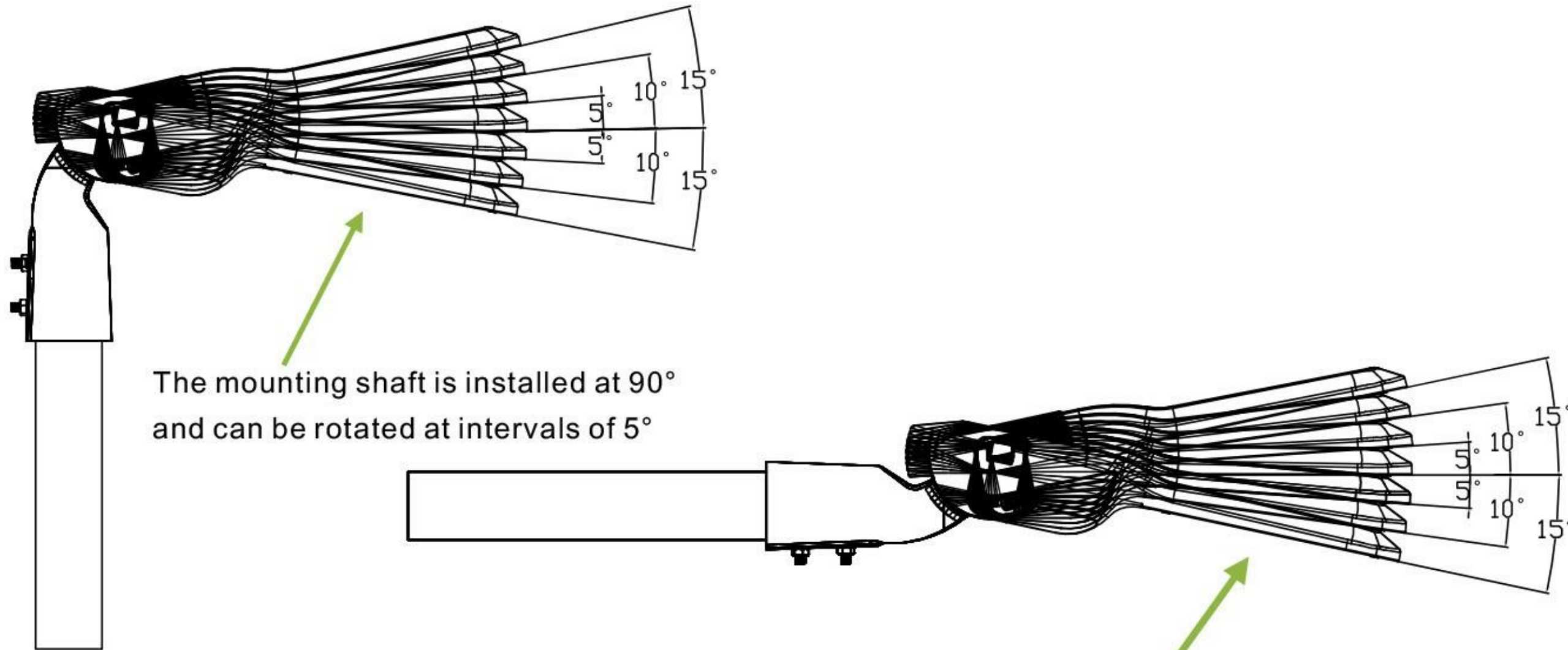
Product Installation Drawing

Installation hole size:60mm



Product Installation Drawing

Installation Angle can be adjusted



The mounting shaft is installed at 90°
and can be rotated at intervals of 5°

The mounting shaft is installed at 90° and can be rotated at intervals of 5°

Attention

1. Please do not disassemble the lamp without permission, or it will be deemed to have waived the warranty service.
2. Please read the manual carefully before installation.
3. Please check everything carefully before use. If any abnormalities occurred during use, please contact us immediately.
4. Please make sure the power is turned off before installation.
5. Please turn to professional electrician if any failure.