

# 12V LiFePO4 Battery





▼ Portable





▼ Auto-grade laser welding







▲ ABS+PC housing





50WH



100WH



200WH



# 12V-50Ah





# 12V-100Ah





# 12V-200Ah





# ALSO WE HAVE WHAT OTHERS DON'T



High safety performance



Long service life



High temperature resistance at work



Large charging capacity



Light overall weight



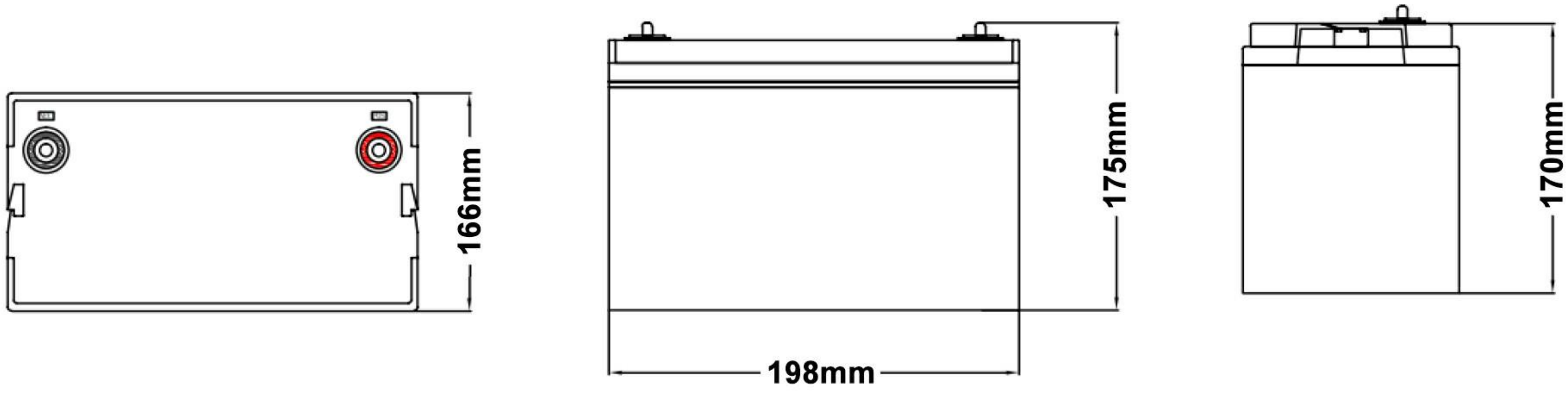
Environmental protection



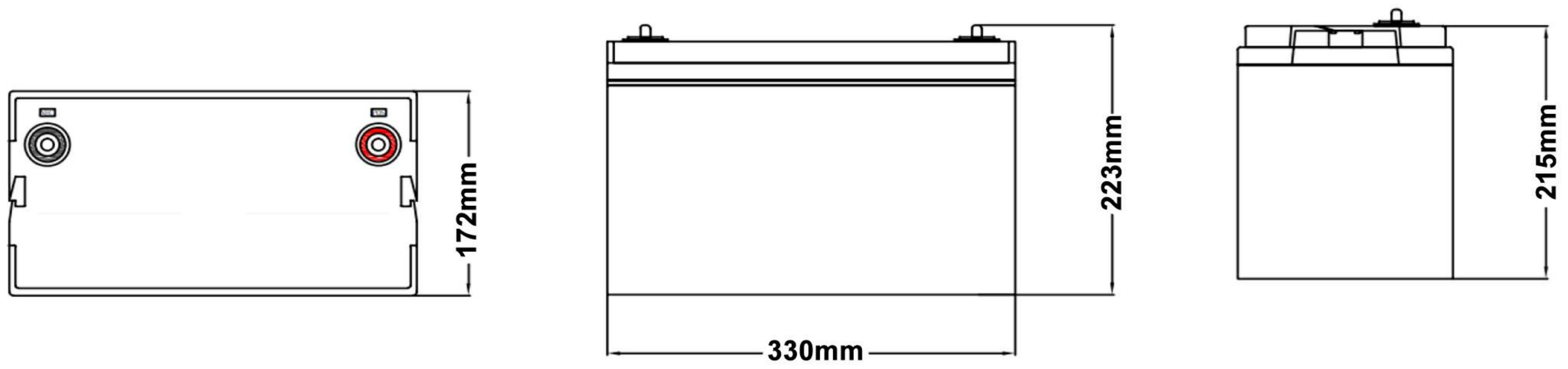
Mode NO.	12V - 50Ah	12V - 100Ah	12V - 200Ah
<b>Charge</b>			
Recommended Charge Current	25A	50A	75A
Maximum Charge Current	50A	100A	150A
Recommended Charge Voltage		14.6V	
BMS Charge Cut-Off Voltage		<15.6V(3.9V/Cell)	
Reconnect Voltage		>14.0V(3.5V/Cell)	
Balancing Voltage		14.4V(3.6V/Cell)	
Maximum Batteries in Series		4	
<b>Discharge</b>			
Maximum Continuous Discharge Current	50A	100A	200A
Peak Discharge Current	100A(3s)	200A(3s)	400A(3s)
BMS Discharge Cut-Off Current	150A±50A	250A±50A	450A±50A
Recommended Low Voltage Disconnect		11.0V(2.75V/Cell)	
BMS Discharge Cut-Off Voltage		>8.8V(3s)(2.2V/Cell)	
Reconnect Voltage		>10.8V(2.7V/Cell)	
Short Circuit Protection		300~600 μs	
<b>General</b>			
Nominal Voltage		12.8V	
Nominal Capacity	50Ah	100Ah	200Ah
Capacity @ 10A		300 min	
Energy	640Wh	1280Wh	2560Wh
Resistance		≤25mΩ@50% SOC	
Self-discharge		<3%/Month	
Protocol (optional)		SMBus / RS485 / Bluetooth	
<b>Mechanical</b>			
Dimension(LxWxH)	198*166*170mm	330*172*215mm	520*269*229mm
Approx. Weight	13.3lbs	24.3lbs	48.5lbs
Terminal Type		T11	
Terminal Torque		80~100 in-lbs(9~11N-m)	
Case Material		ABS	
Enclosure Protection		IP65	
<b>Temperature</b>			
Discharge Temperature		0-65°C	
Charge Temperature		0-65°C	
Storage Temperature		14~113°F(-10~45°C)	
BMS High Temperature Cut-Off		167°F(75°C)	
Enclosure Protection		149°(65°C)	
<b>Compliance</b>			
Certifications	CE (battery) / UN38.3(battery) / UL1642&IEC62133(Cells)		
Shipping Classification	UN 3480, CLASS 9		



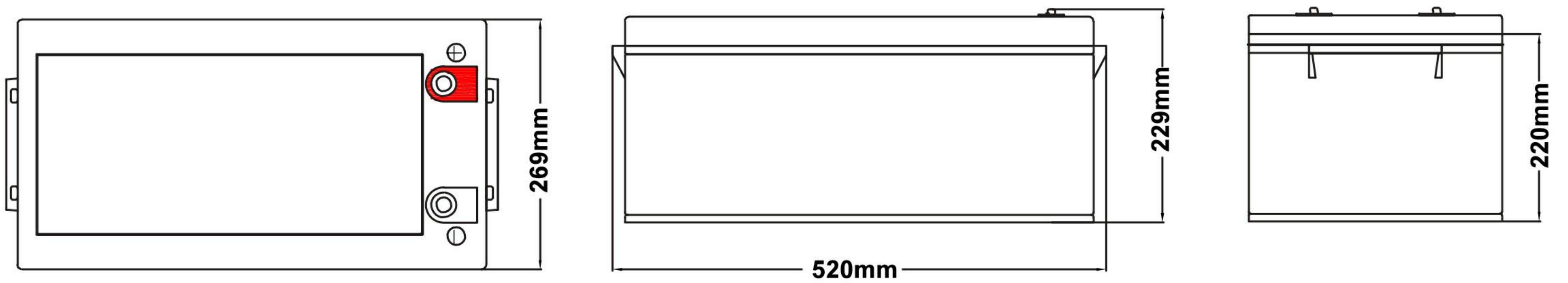
### 12V-50Ah



### 12V-100Ah



### 12V-200Ah





# 12V LiFePO4 Battery

